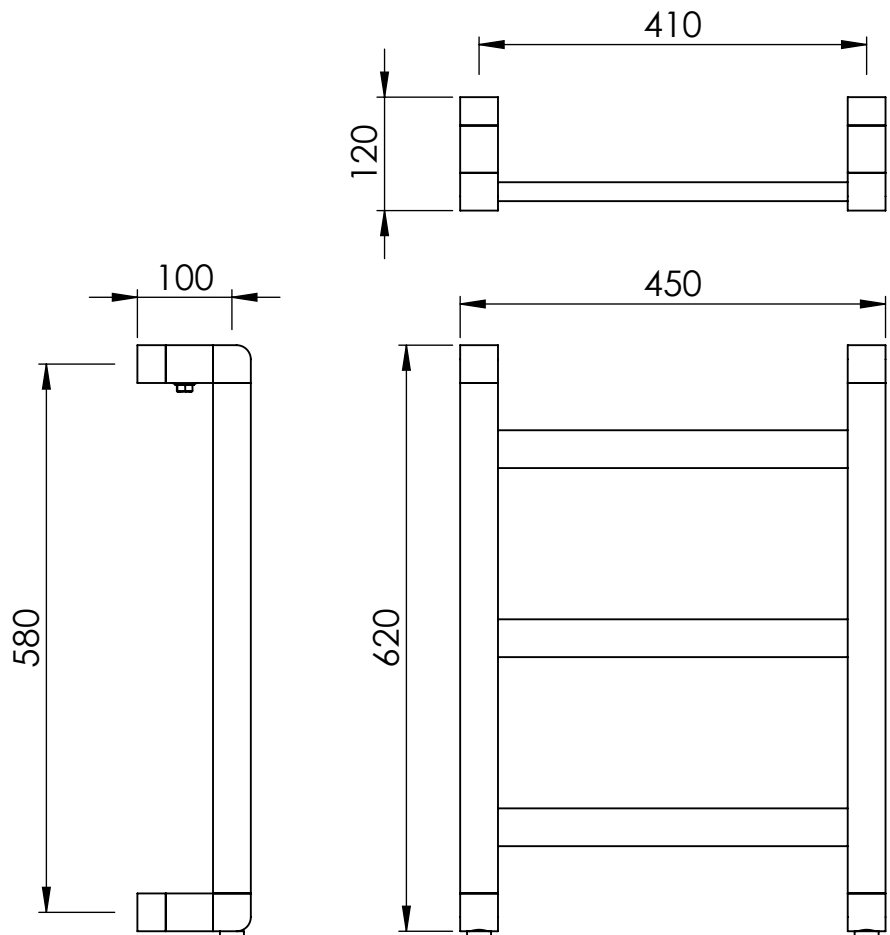
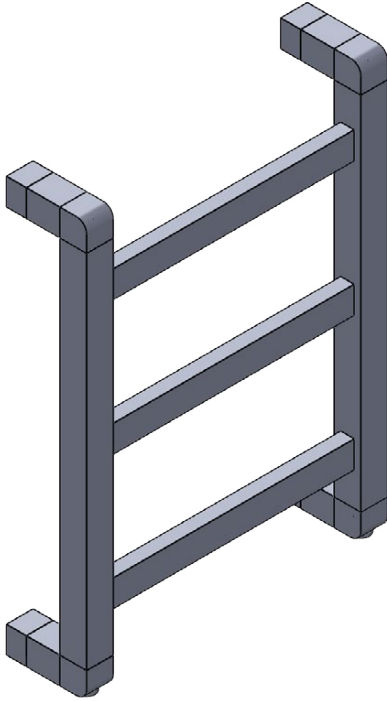


E70287

Height: 620
Width: 450
Depth: 120

Tube ϕ : 40sq + 40x20
Pipe Centres / Face-Face Cons: 410
Output @ 50° C Δ T Watts: 199 W
BTUs: 679 W



esteem[®]
bathrooms

Kopren

All dimensions in millimetres

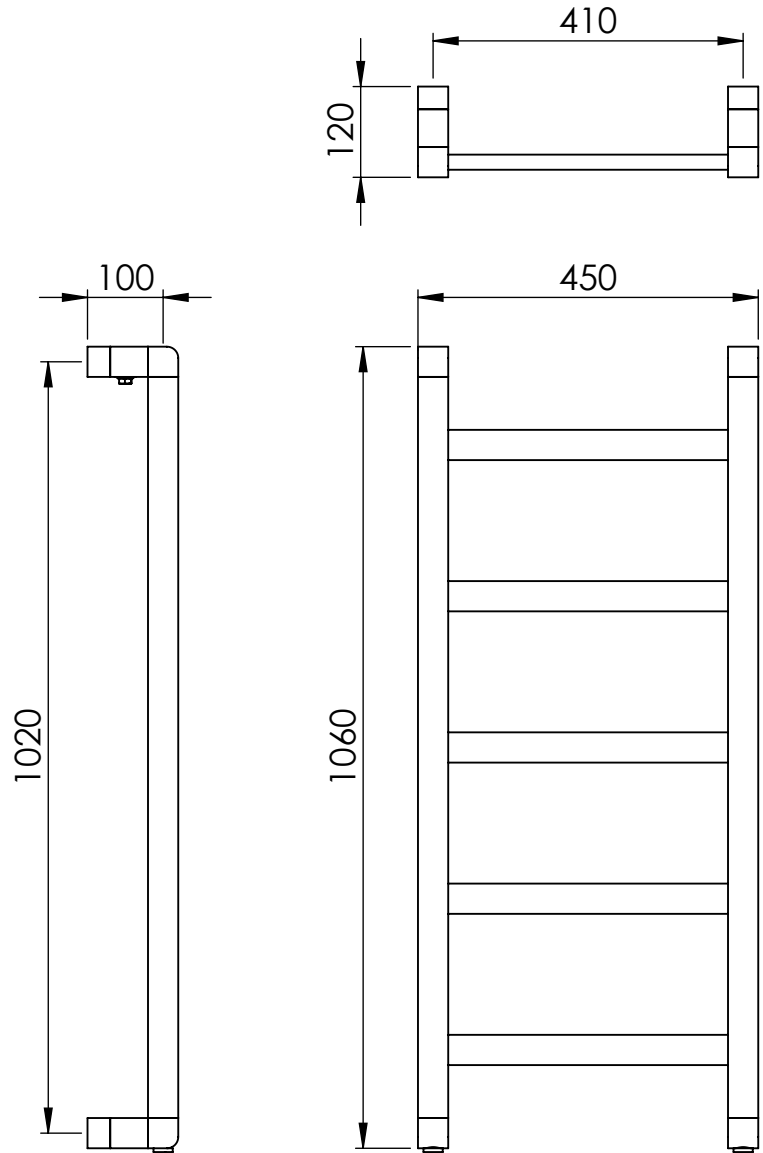
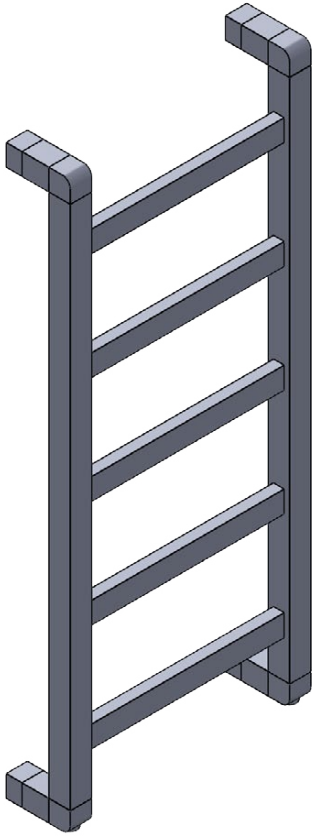
Manufactured from Mild Steel

SCALE 1:8

E70288

Height: 1060
Width: 450
Depth: 120

Tube Φ : 40sq + 40x20
Pipe Centres / Face-Face Cons: 410
Output @ 50° C Δ T Watts: 290 W
BTUs: 989 W



Kopren

All dimensions in millimetres

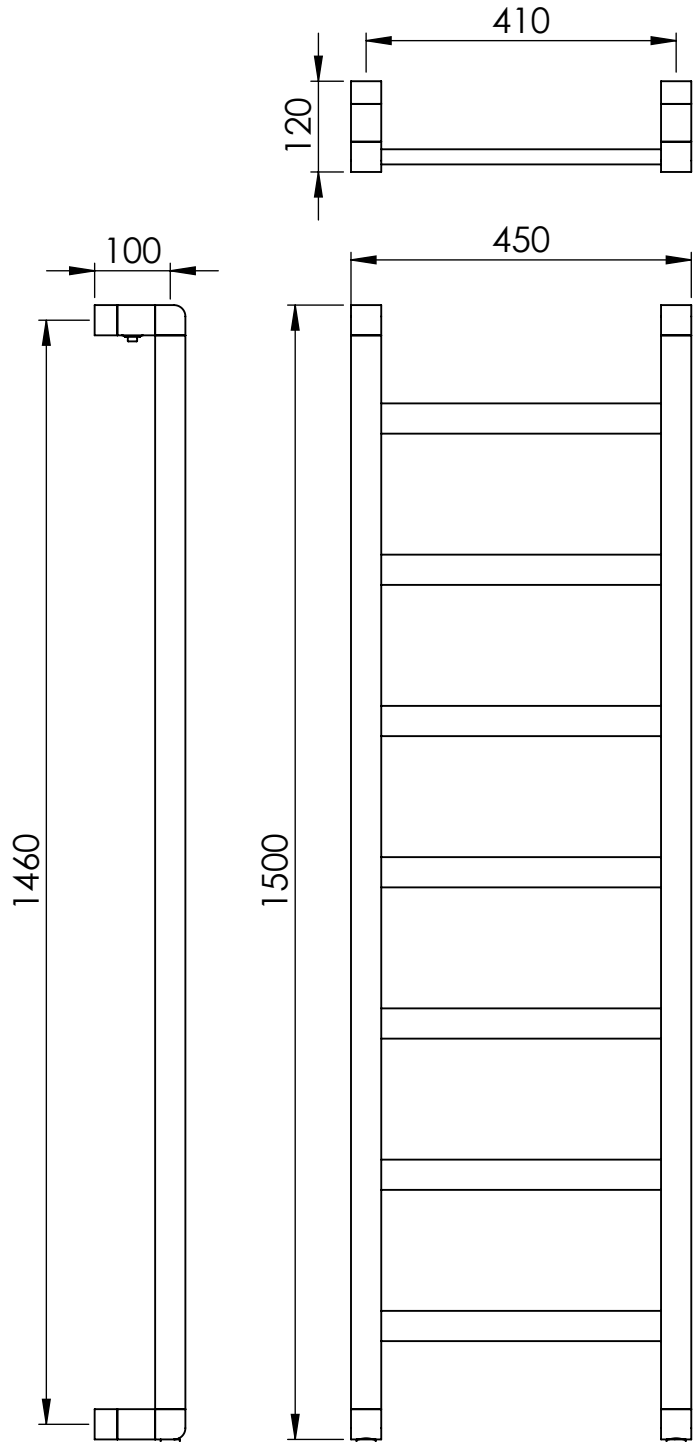
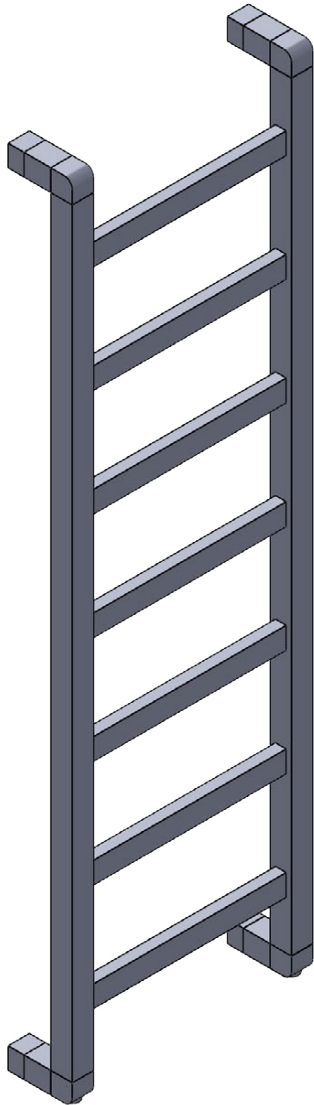
Manufactured from Mild Steel

SCALE 1:10

E70289

Height: 1500
Width: 450
Depth: 120

Tube Φ : 40sq + 40x20
Pipe Centres / Face-Face Cons: 410
Output @ 50° C Δ T Watts: 437 W
BTUs: 1491 W



esteem[®]
bathrooms

Kopren

All dimensions in millimetres

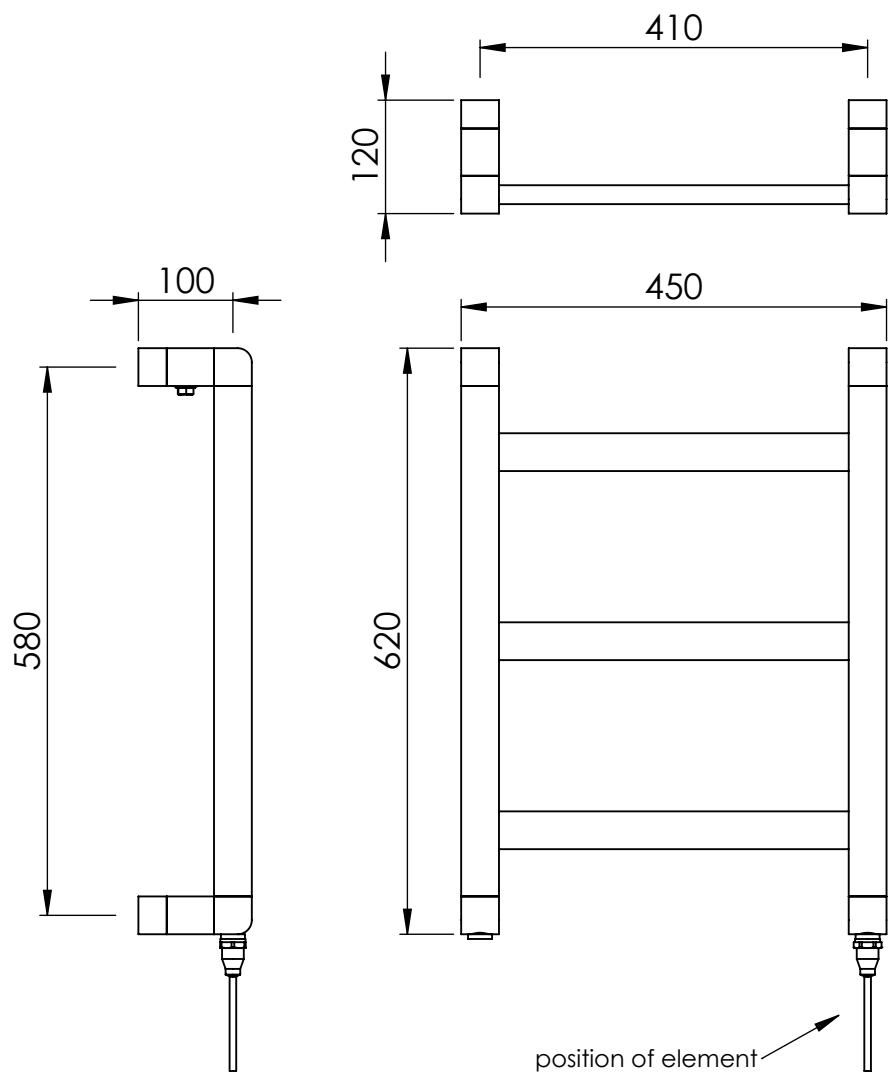
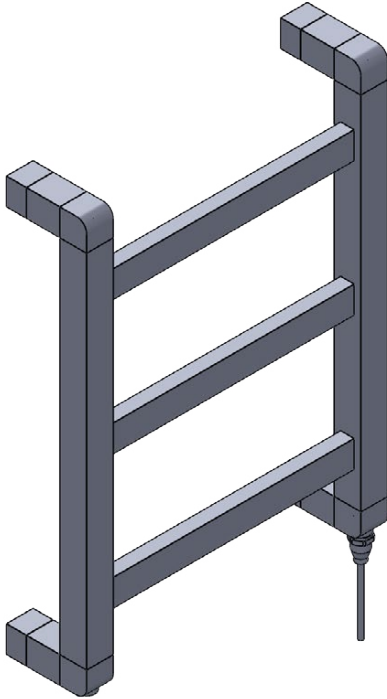
Manufactured from Mild Steel

SCALE 1:10

E70290

Height: 620
Width: 450
Depth: 120

Tube Φ : 40sq + 40x20
Pipe Centres / Face-Face Cons: 410
Elec. element if specified: 100 W



esteem[®]
bathrooms

Kopren

All dimensions in millimetres

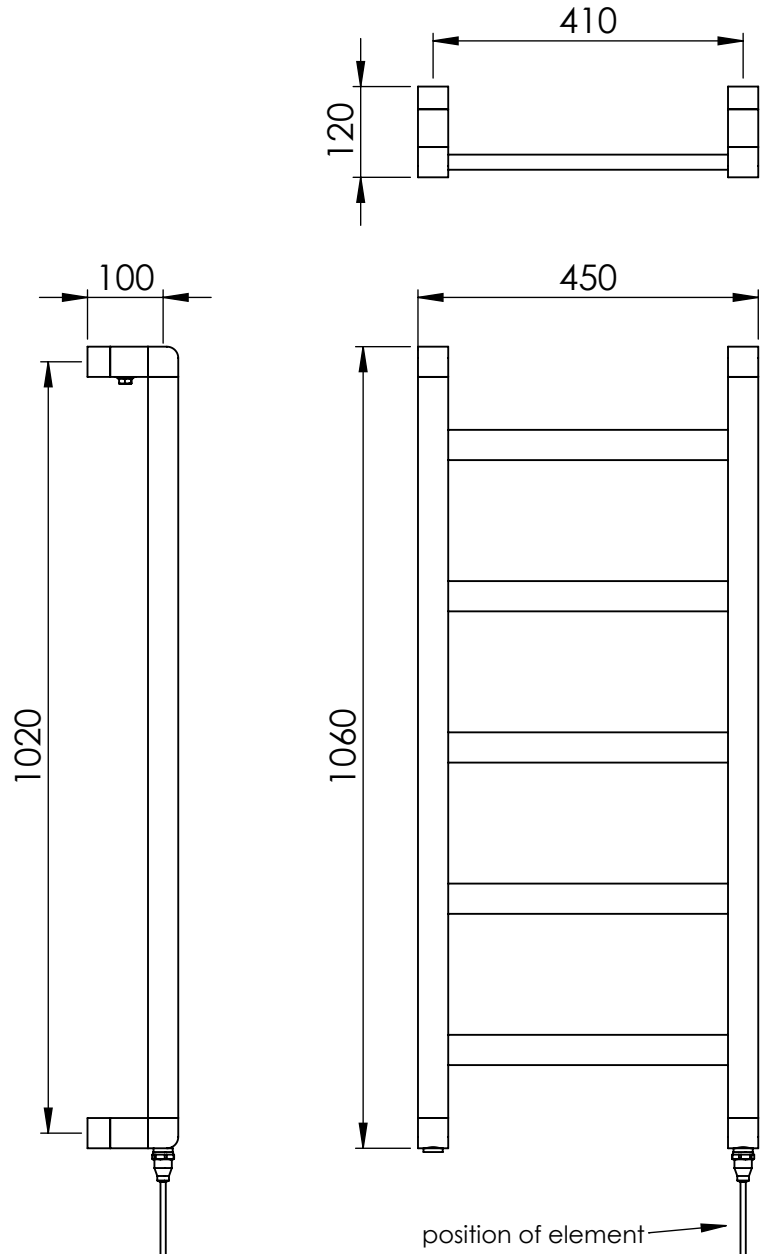
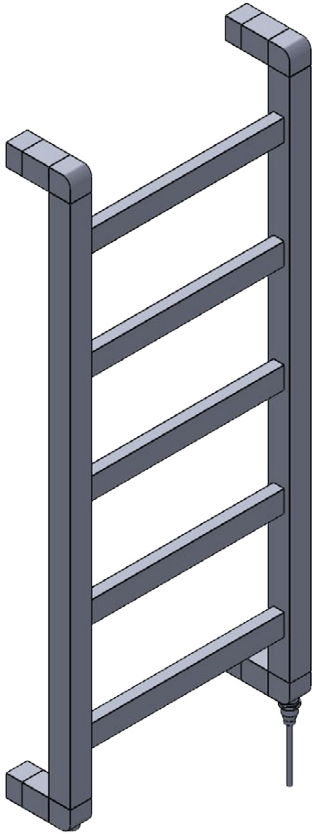
Manufactured from Mild Steel

SCALE 1:8

E70291

Height: 1060
Width: 450
Depth: 120

Tube Φ : 40sq + 40x20
Pipe Centres / Face-Face Cons: 410
Elec. element if specified: 150 W



esteem[®]
bathrooms

Kopren

All dimensions in millimetres

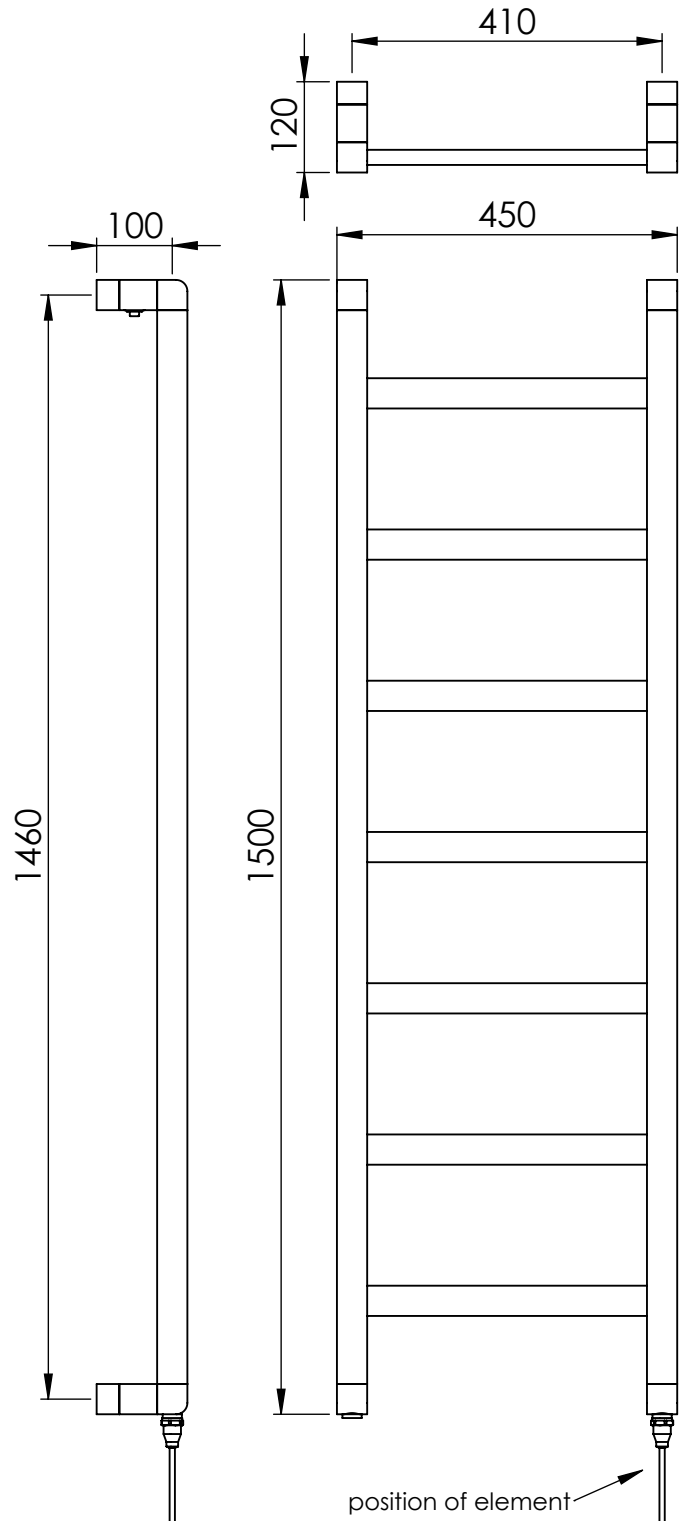
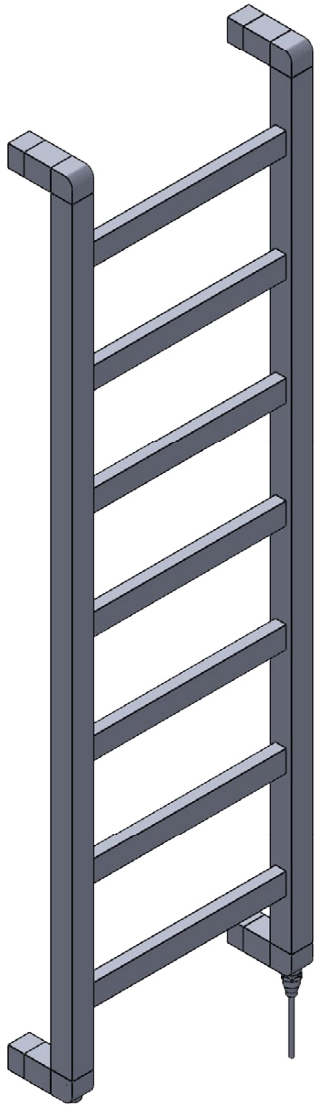
Manufactured from Mild Steel

SCALE 1:10

E70292

Height: 1500
Width: 450
Depth: 120

Tube Φ : 40sq + 40x20
Pipe Centres / Face-Face Cons: 410
Elec. element if specified: 150 W



esteem[®]
bathrooms

Kopren

All dimensions in millimetres

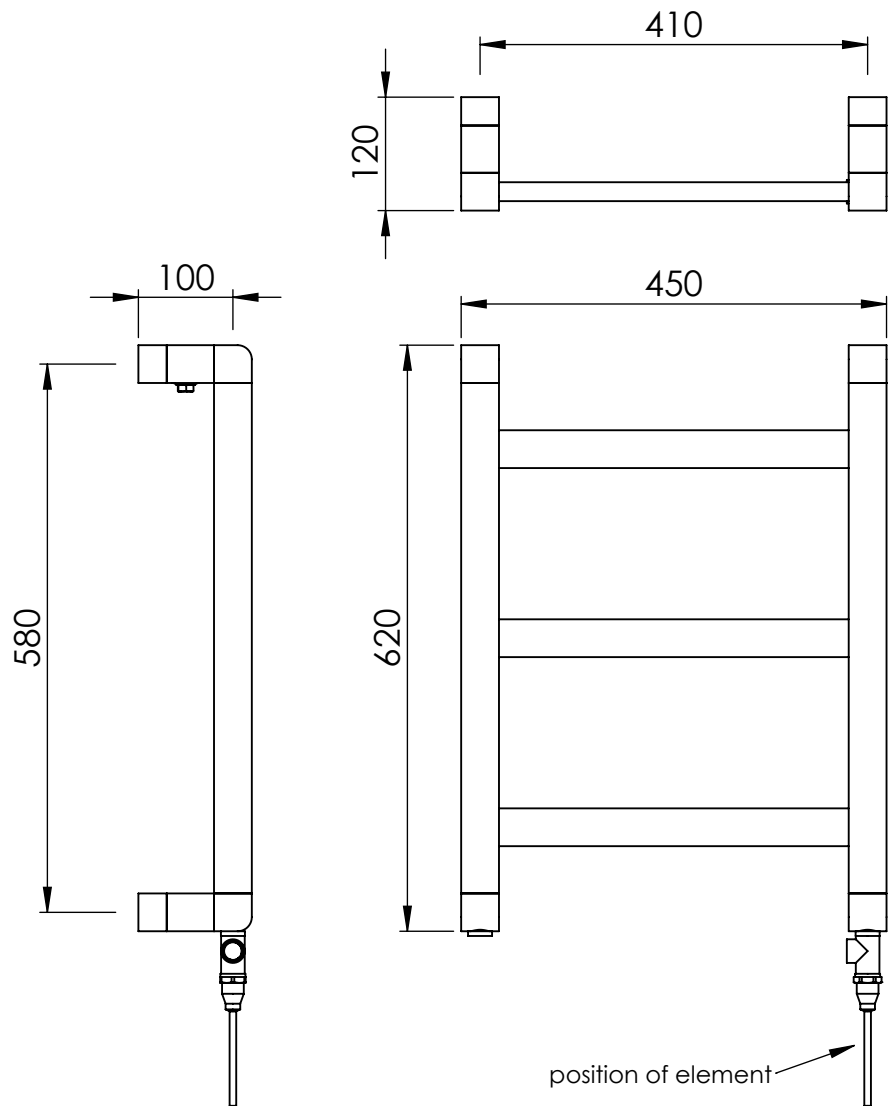
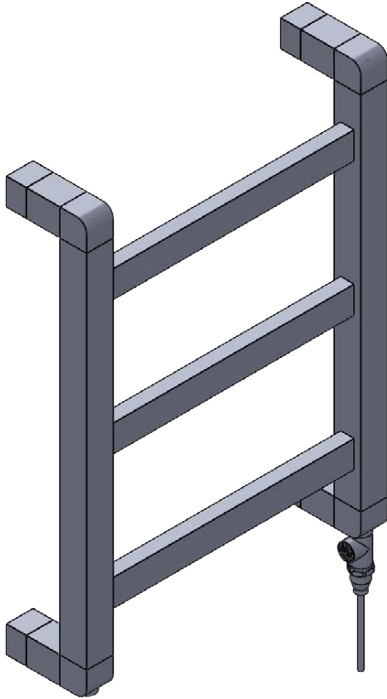
Manufactured from Mild Steel

SCALE 1:10

E70293

Height: 620
Width: 450
Depth: 120

Tube ϕ : 40sq + 40x20
Pipe Centres / Face-Face Cons: 410
Elec. element if specified: 100 W
Output @ 50° C Δ T Watts: 199 W
BTUs: 679 W



esteem[®]
bathrooms

Kopren

All dimensions in millimetres

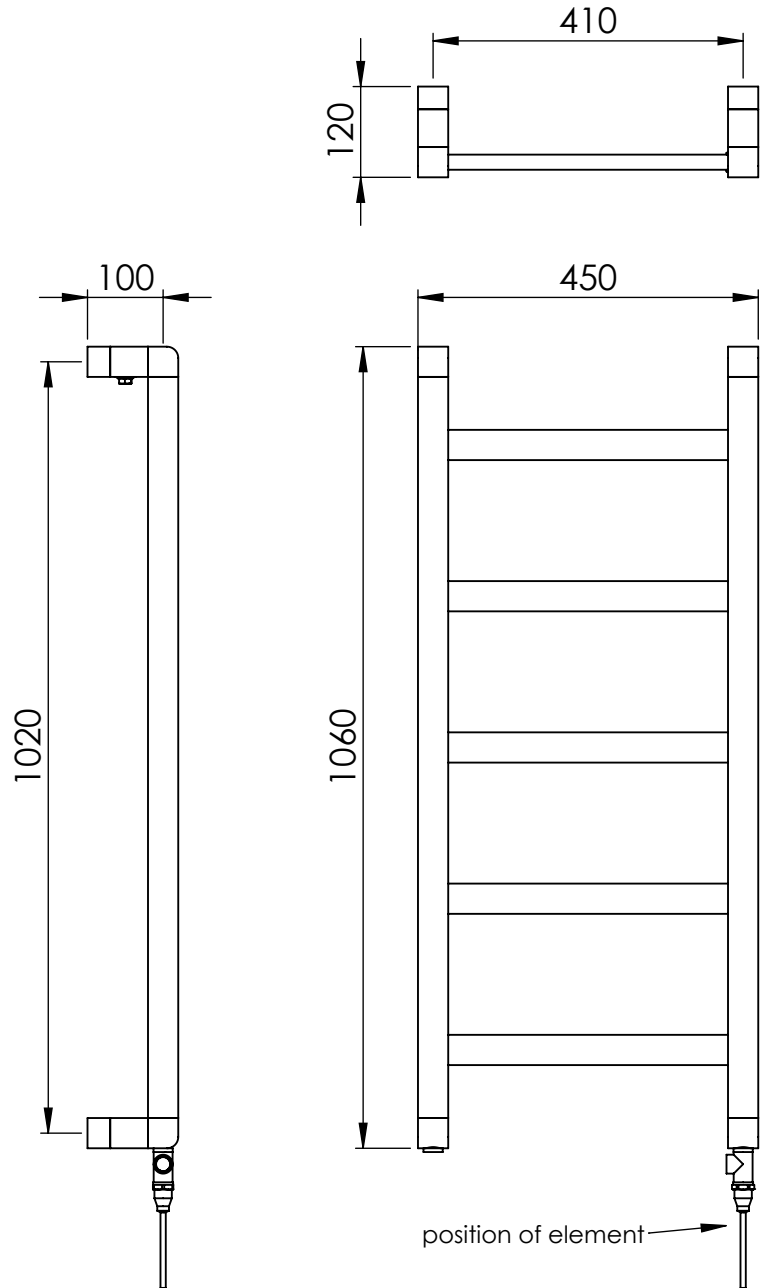
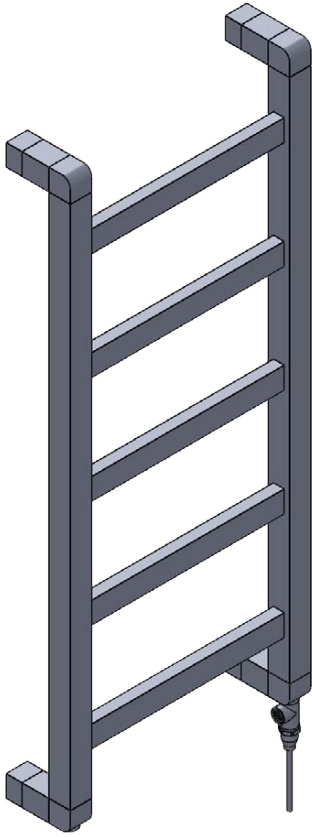
Manufactured from Mild Steel

SCALE 1:8

E70294

Height: 1060
Width: 450
Depth: 120

Tube Φ : 40sq + 40x20
Pipe Centres / Face-Face Cons: 410
Elec. element if specified: 150 W
Output @ 50° C Δ T Watts: 290 W
BTUs: 989 W



Kopren

All dimensions in millimetres

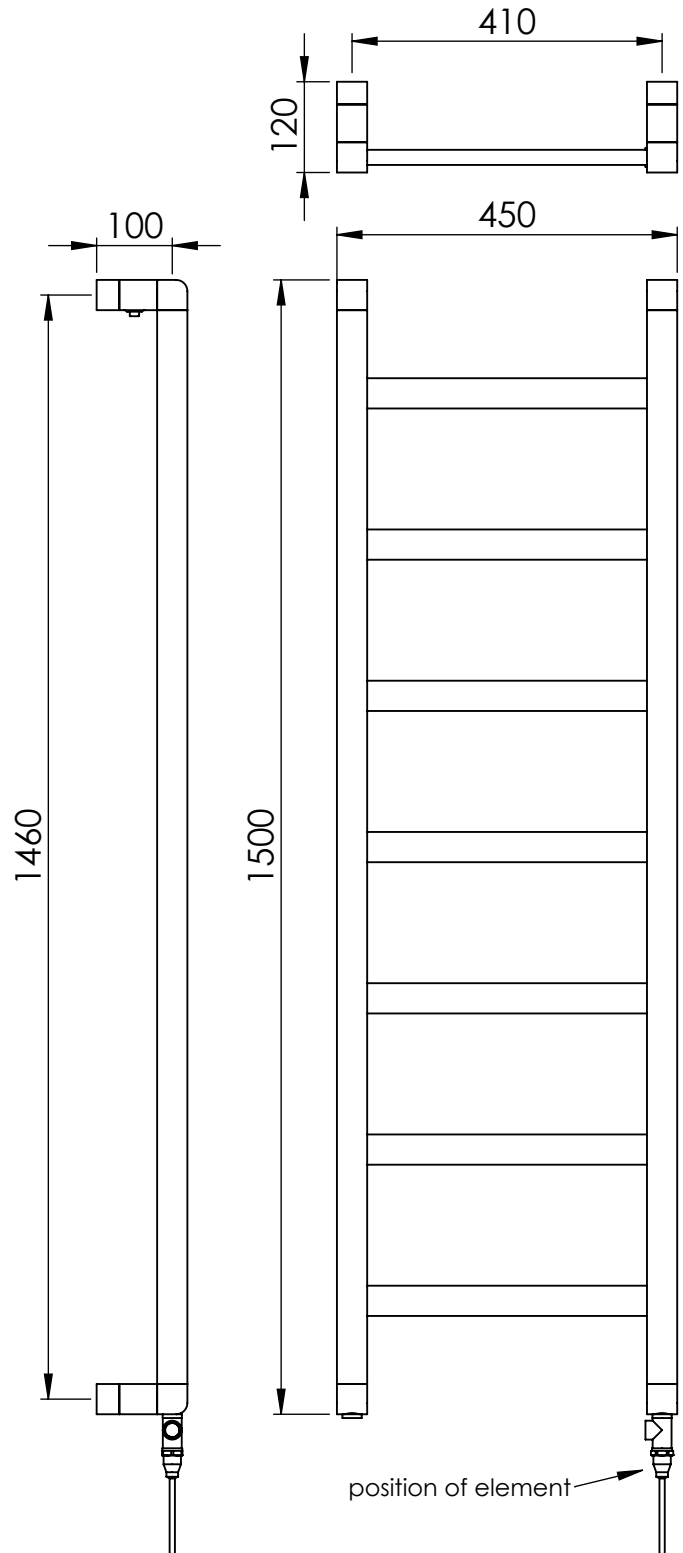
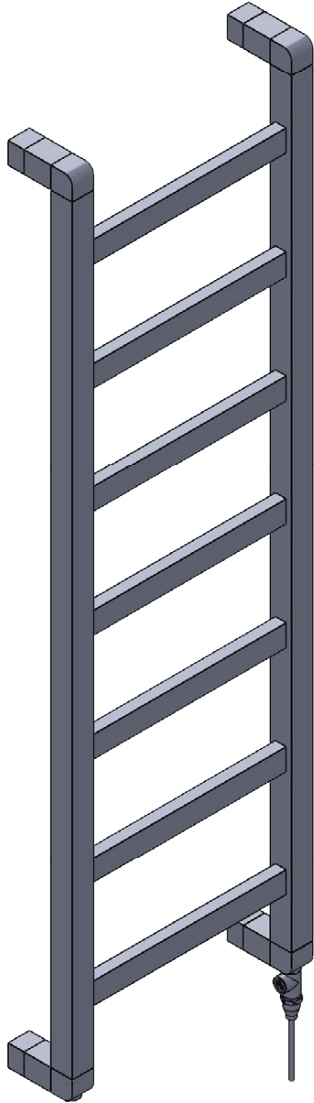
Manufactured from Mild Steel

SCALE 1:10

E70295

Height: 1500
Width: 450
Depth: 120

Tube ϕ : 40sq + 40x20
Pipe Centres / Face-Face Cons: 410
Elec. element if specified: 150 W
Output @ 50° C Δ T Watts: 437 W
BTUs: 1491 W



esteem[®]
bathrooms

Kopren

All dimensions in millimetres

Manufactured from Mild Steel

SCALE 1:10