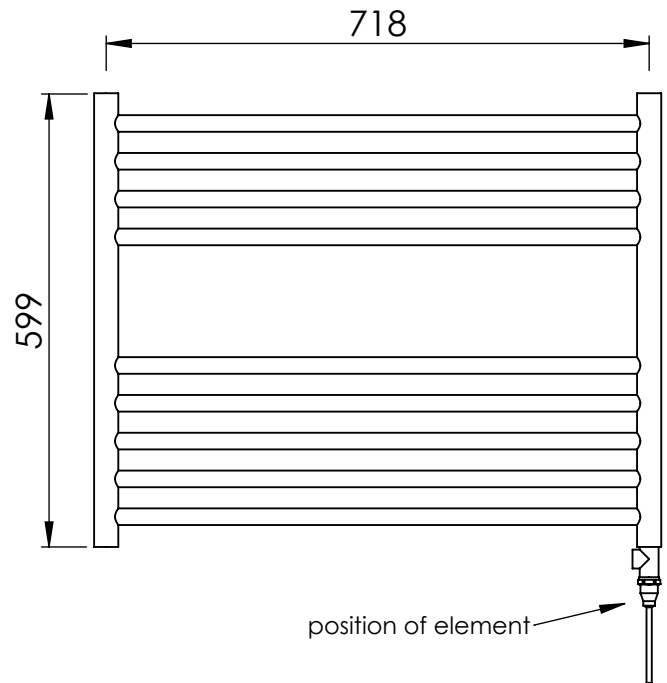
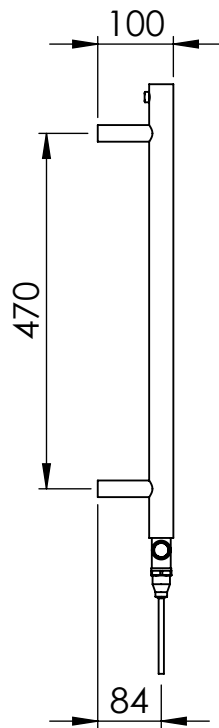
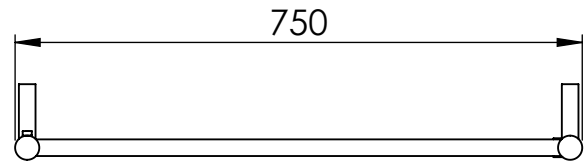
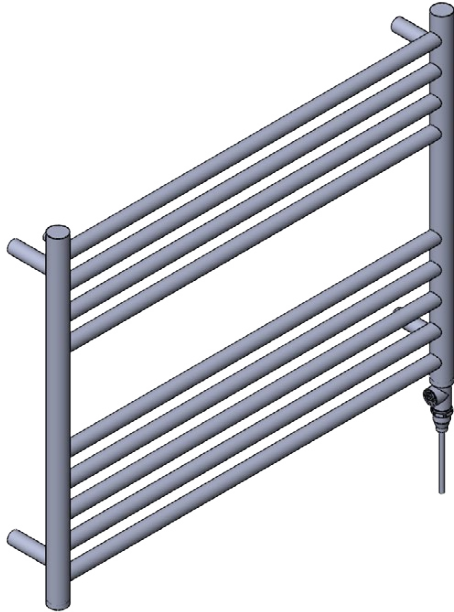


E70350

Height: 600
Width: 750
Depth: 100

Tube ϕ : 31.8 + 22
Pipe Centres / Face-Face Cons: 718
Elec. element if specified: 100 W
Output @ 50°C Δ T Watts: 419 W
BTUs: 1430 W



Huka

All dimensions in millimetres

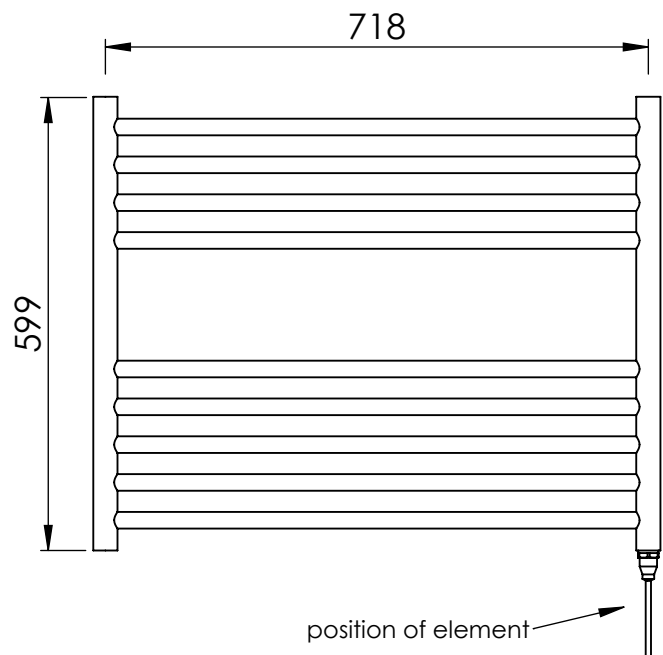
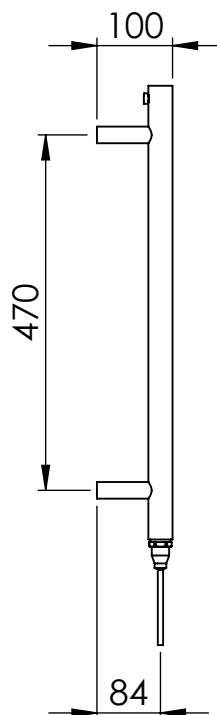
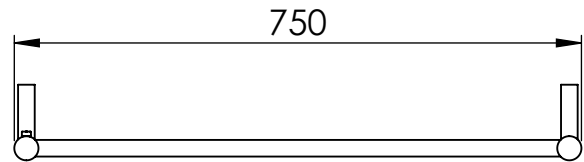
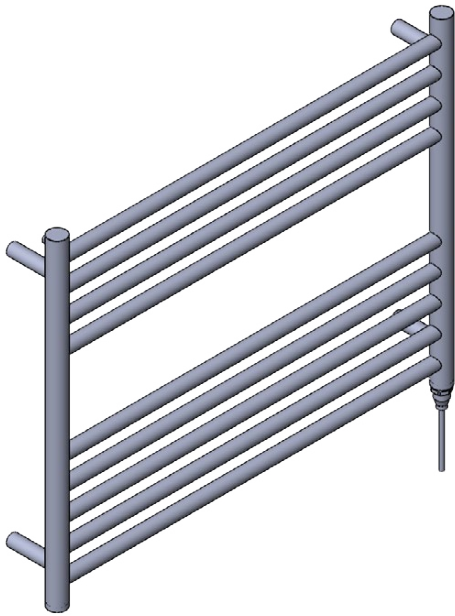
Manufactured from 1.4301/X5CrNi18-10 stainless steel

SCALE 1:10

E70351

Height: 600
Width: 750
Depth: 100

Tube ϕ : 31.8 + 22
Pipe Centres / Face-Face Cons: 718
Elec. element if specified: 100 W



Huka

All dimensions in millimetres

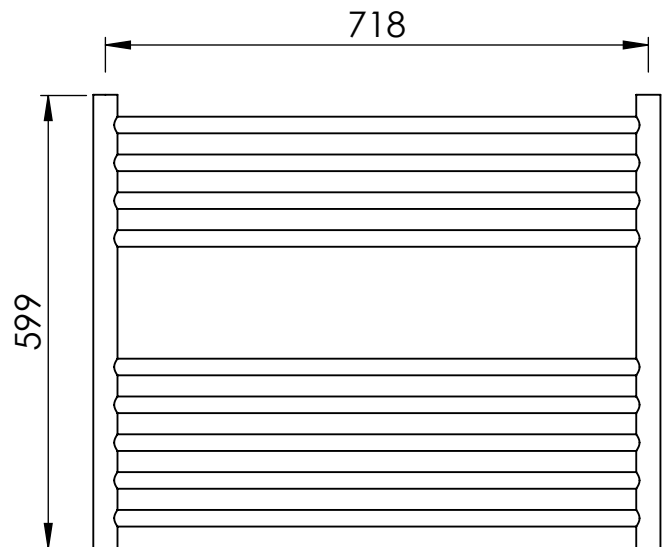
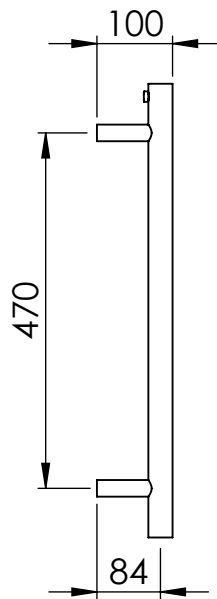
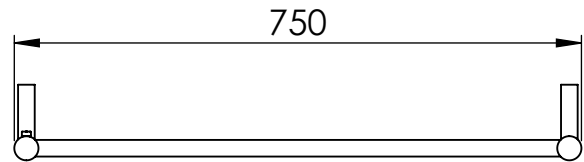
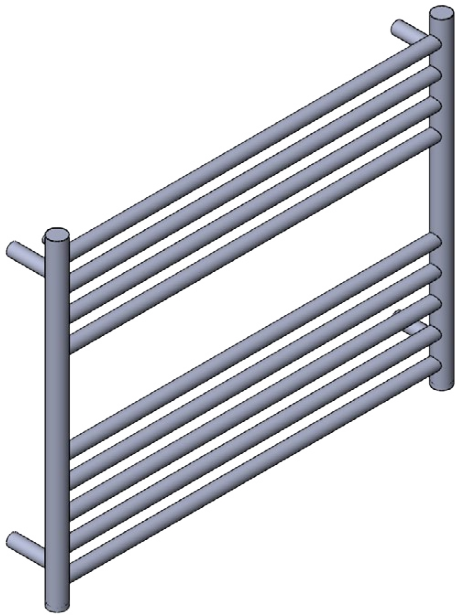
Manufactured from 1.4301/X5CrNi18-10 stainless steel

SCALE 1:10

E70352

Height: 600
Width: 750
Depth: 100

Tube ϕ : 31.8 + 22
Pipe Centres / Face-Face Cons: 718
Output @ 50° C Δ T Watts: 419 W
BTUs: 1430 W



Huka

All dimensions in millimetres

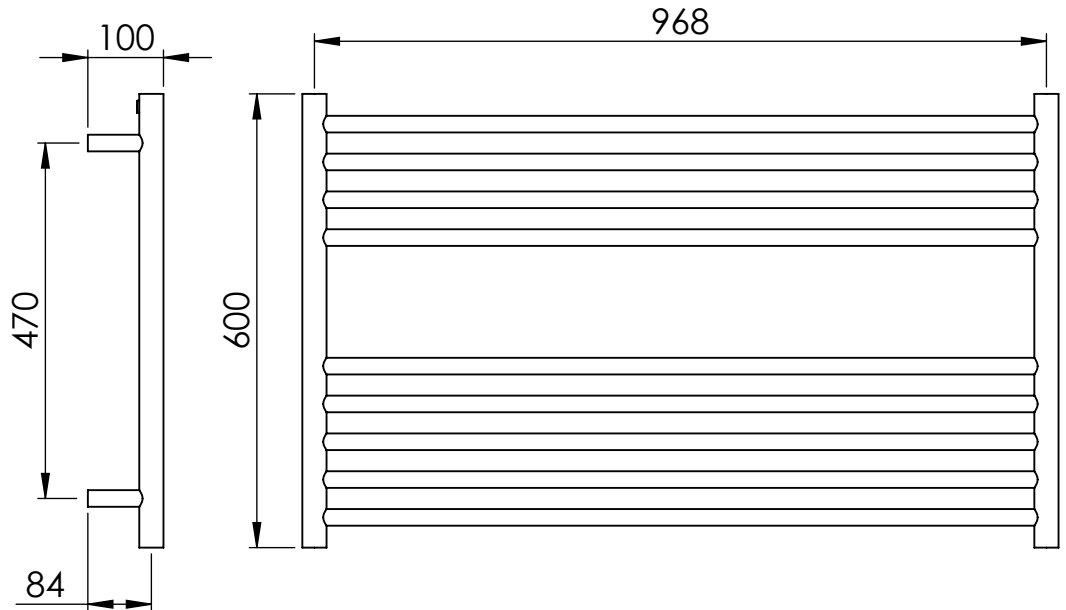
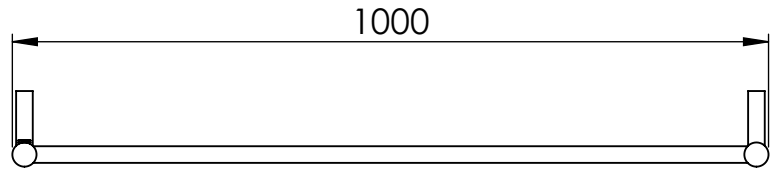
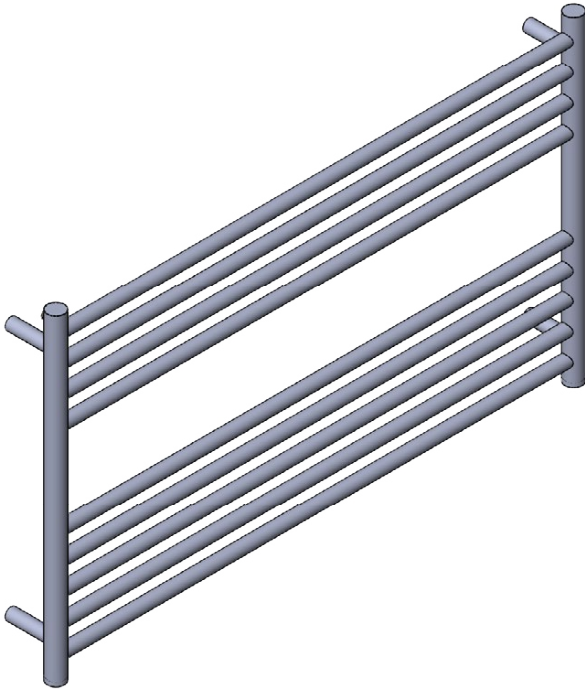
Manufactured from 1.4301/X5CrNi18-10 stainless steel

SCALE 1:10

E70353

Height: 600
Width: 1000
Depth: 100

Tube ϕ : 31.8 + 22
Pipe Centres / Face-Face Cons: 968
Output @ 50° C Δ T Watts: 517 W
BTUs: 1764 W



Huka

All dimensions in millimetres

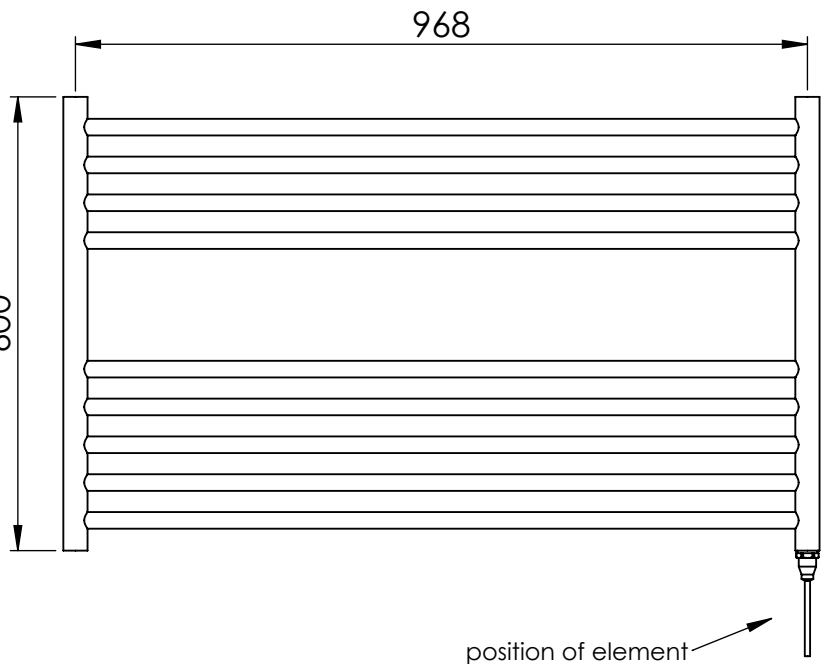
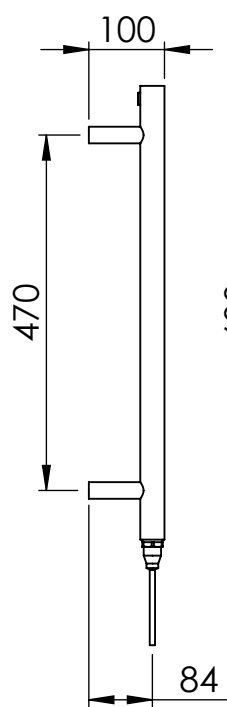
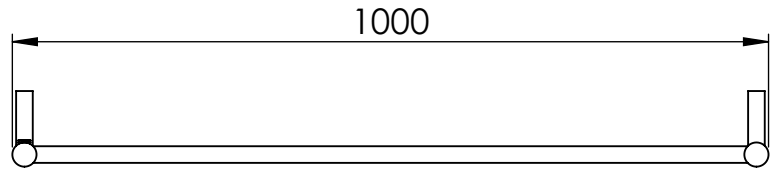
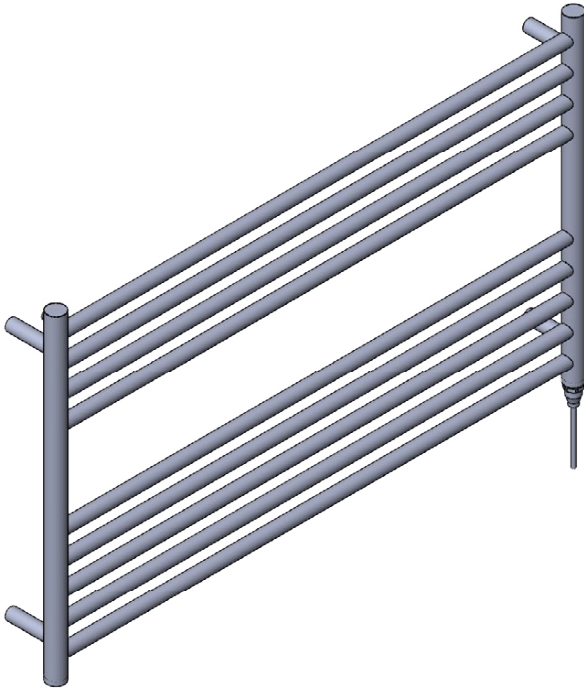
Manufactured from 1.4201/X5CrNi18-10 stainless steel

SCALE 1:10

E70354

Height: 600
Width: 1000
Depth: 100

Tube ϕ : 31.8 + 22
Pipe Centres / Face-Face Cons: 968
Elec. element if specified: 125 W



esteem[®]
bathrooms

Huka

All dimensions in millimetres

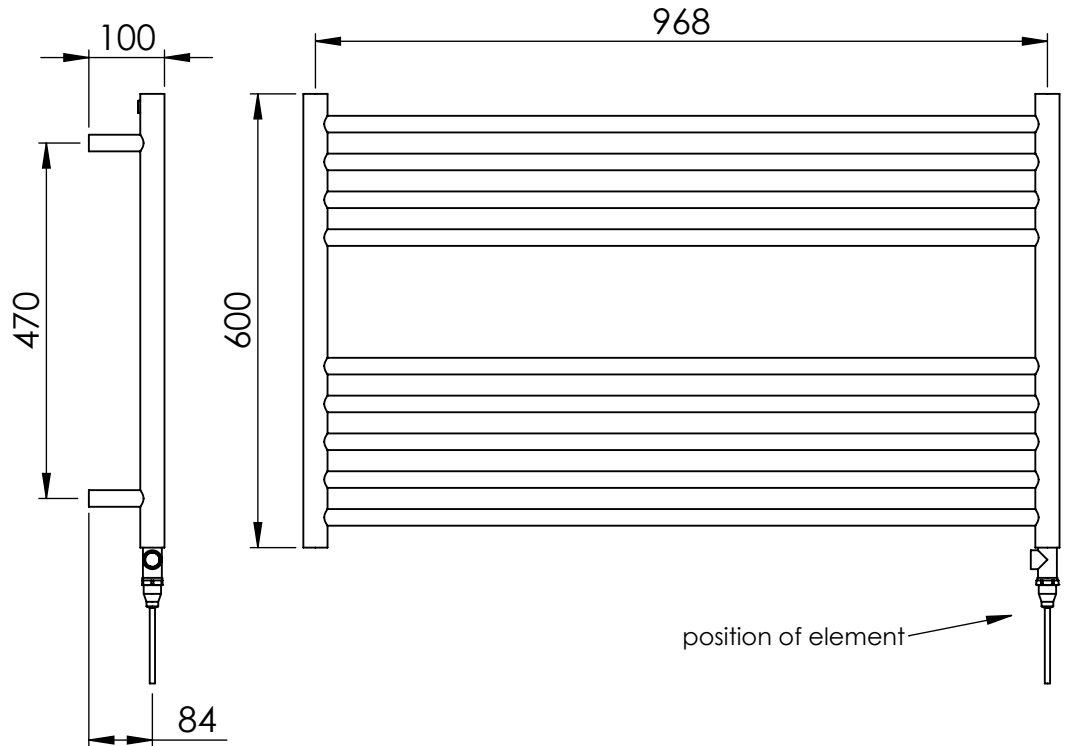
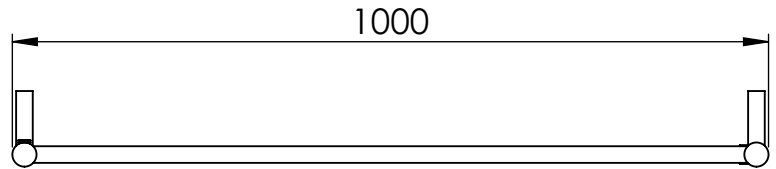
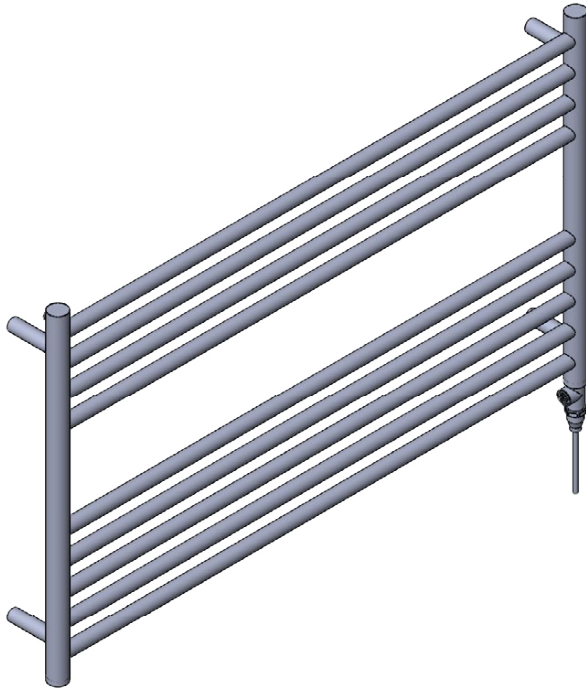
Manufactured from 1.4201/X5CrNi18-10 stainless steel

SCALE 1:10

E70355

Height: 600
Width: 1000
Depth: 100

Tube ϕ : 31.8 + 22
Pipe Centres / Face-Face Cons: 968
Elec. element if specified: 125 W
Output @ 50° C Δ T Watts: 517 W
BTUs: 1764 W



esteem[®]
bathrooms

Huka

All dimensions in millimetres

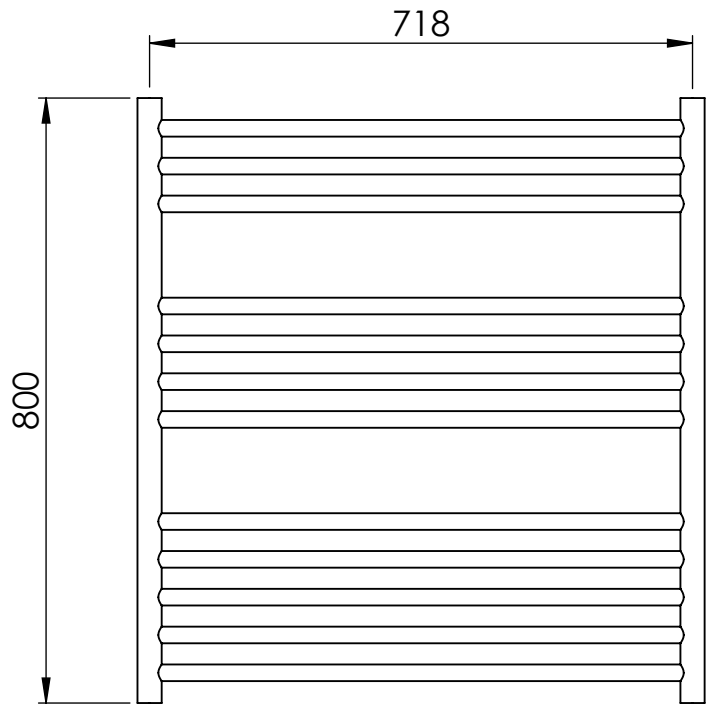
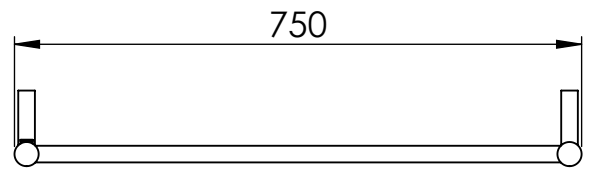
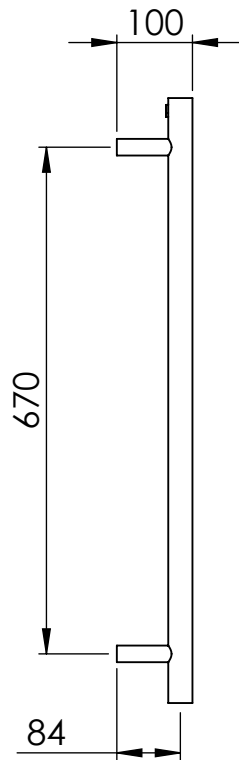
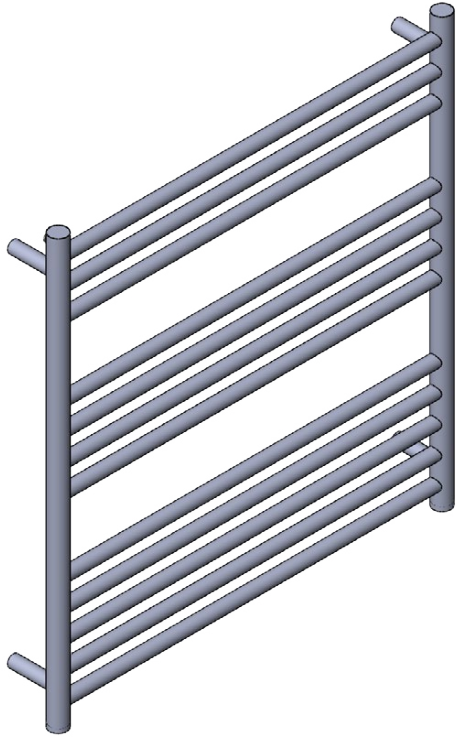
Manufactured from 1.4201/X5CrNi18-10 stainless steel

SCALE 1:10

E70356

Height: 800
Width: 750
Depth: 100

Tube ϕ : 31.8 + 22
Pipe Centres / Face-Face Cons: 718
Output @ 50° C Δ T Watts: 529W
BTUs: 1805 W



esteem[®]
bathrooms

Huka

All dimensions in millimetres

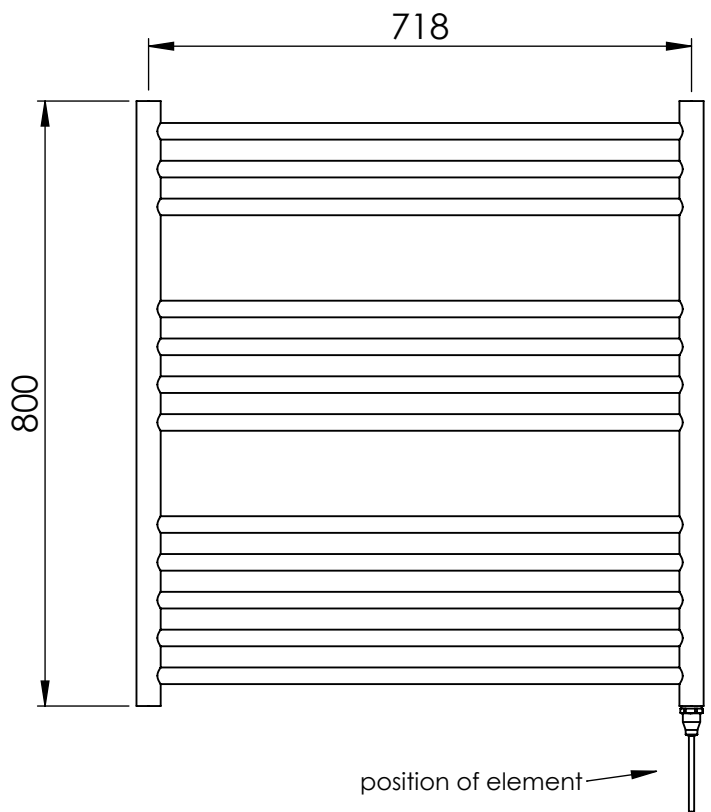
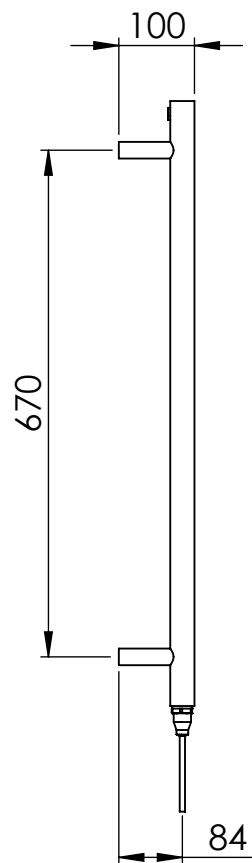
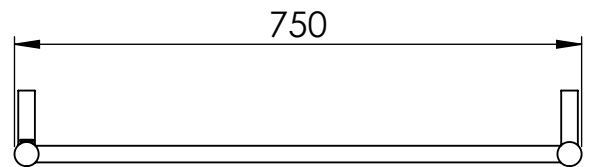
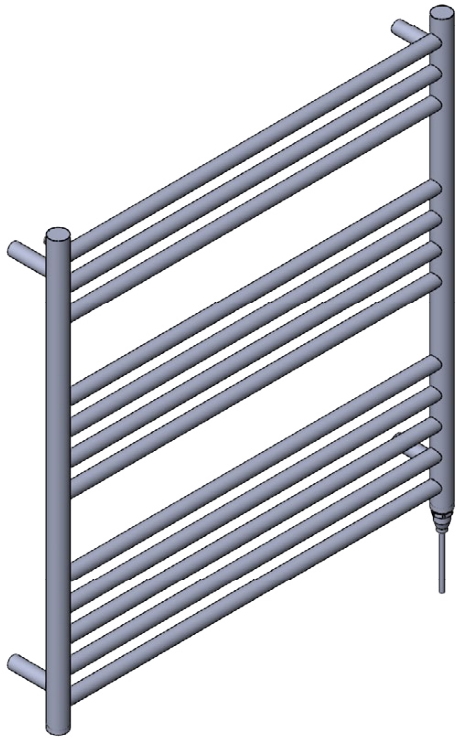
Manufactured from 1.4201/X5CrNi18-10 stainless steel

SCALE 1:10

E70357

Height: 800
Width: 750
Depth: 100

Tube ϕ : 31.8 + 22
Pipe Centres / Face-Face Cons: 718
Elec. element if specified: 125 W



esteem[®]
bathrooms

Huka

All dimensions in millimetres

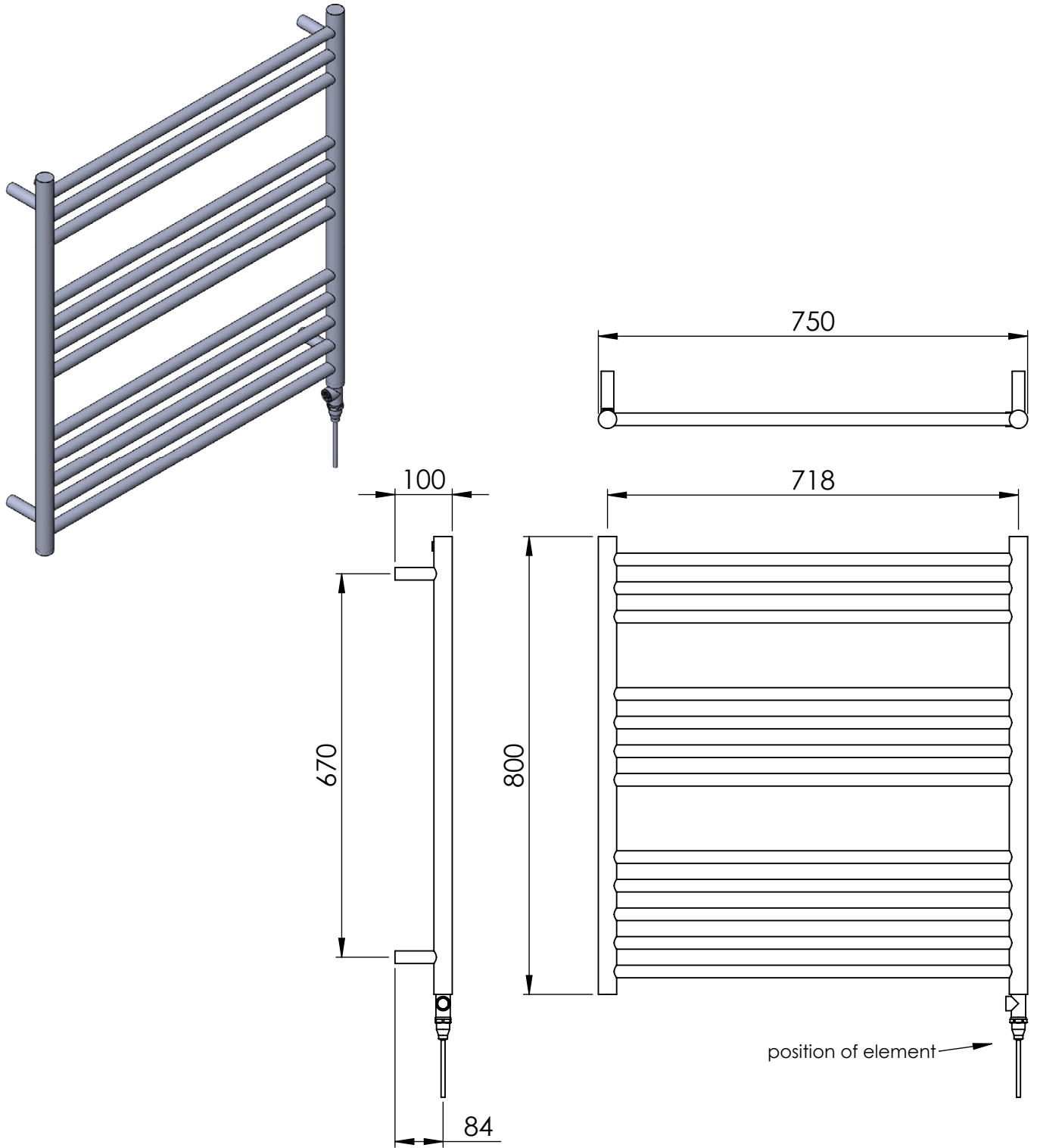
Manufactured from 1.4201/X5CrNi18-10 stainless steel

SCALE 1:10

E70358

Height: 800
Width: 750
Depth: 100

Tube ϕ : 31.8 + 22
Pipe Centres / Face-Face Cons: 718
Elec. element if specified: 125 W
Output @ 50° C Δ T Watts: 529W
BTUs: 1805 W



esteem[®]
bathrooms

Huka

All dimensions in millimetres

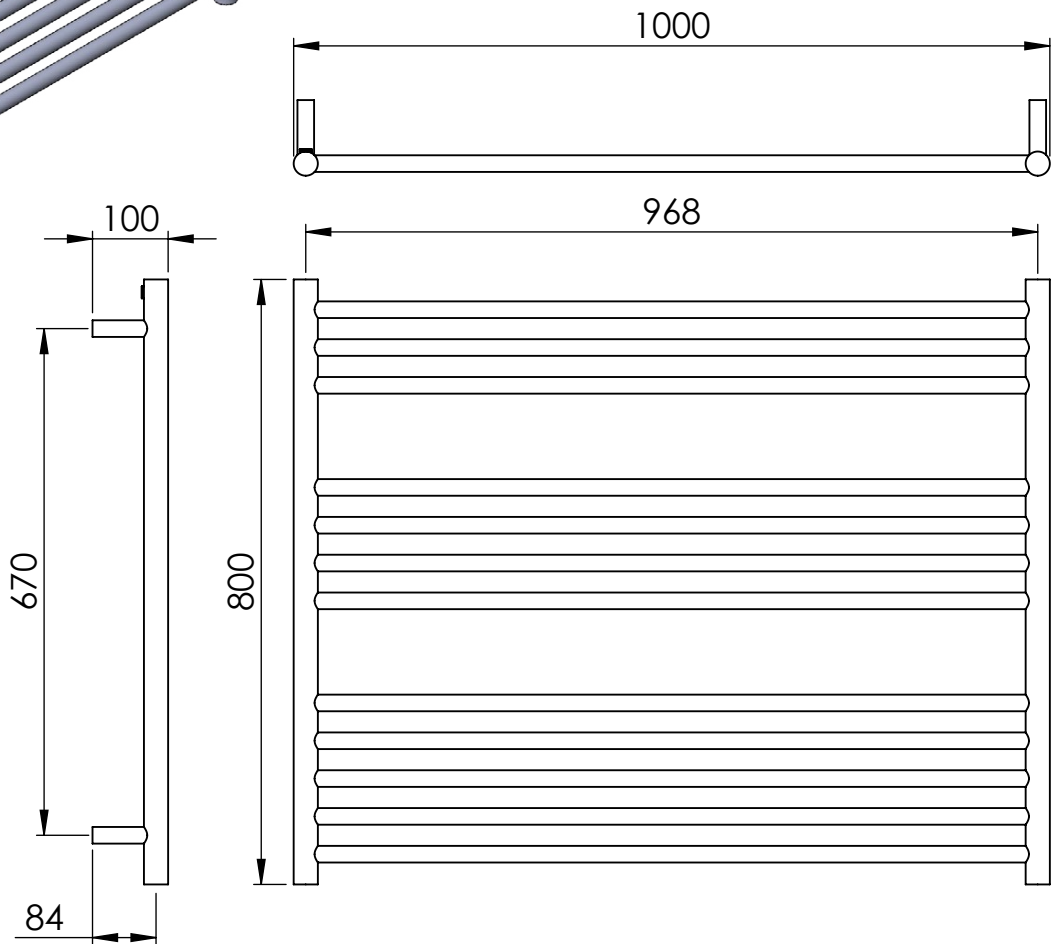
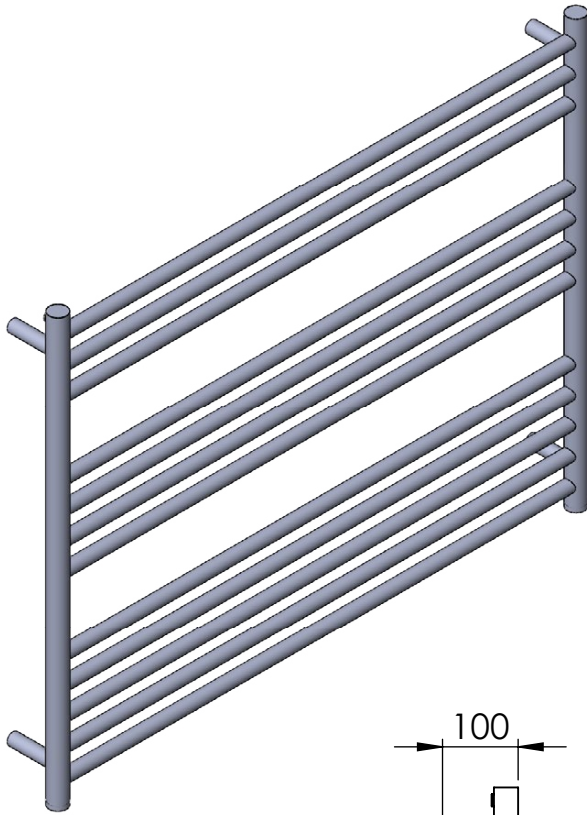
Manufactured from 1.4201/X5CrNi18-10 stainless steel

SCALE 1:10

E70359

Height: 800
Width: 1000
Depth: 100

Tube ϕ : 31.8 + 22
Pipe Centres / Face-Face Cons: 968
Output @ 50° C Δ T Watts: 682 W
BTUs: 2327 W



esteem[®]
bathrooms

Huka

All dimensions in millimetres

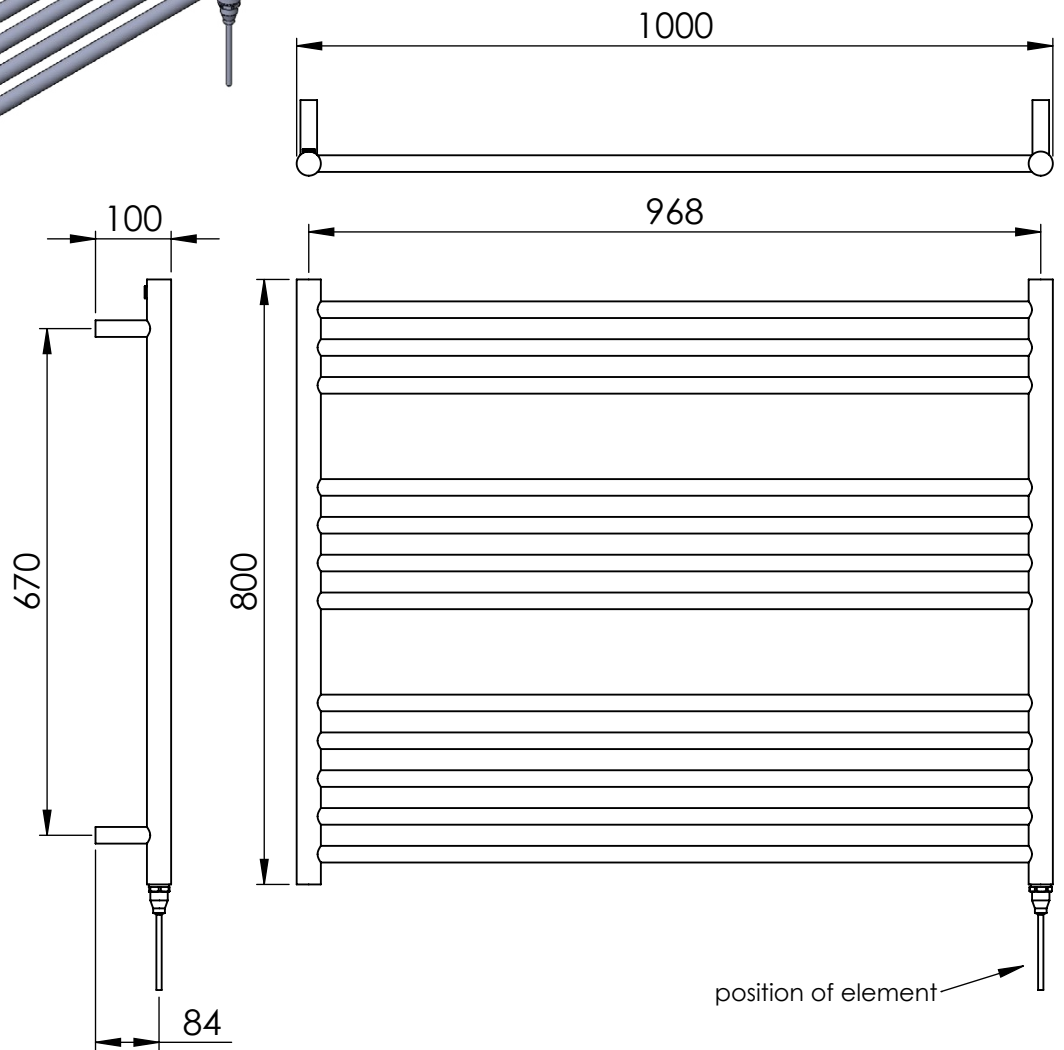
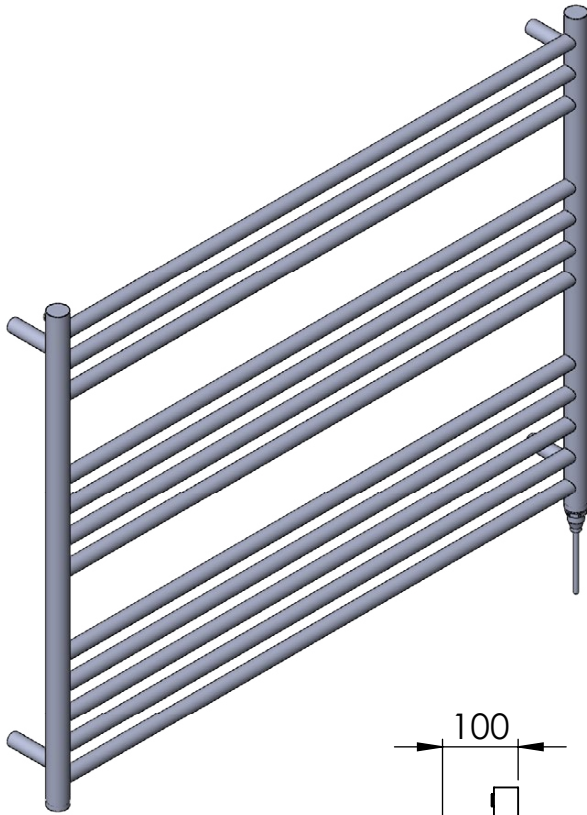
Manufactured from 1.4201/X5CrNi18-10 stainless steel

SCALE 1:10

E70360

Height: 800
Width: 1000
Depth: 100

Tube ϕ : 31.8 + 22
Pipe Centres / Face-Face Cons: 968
Elec. element if specified: 150 W



esteem[®]
bathrooms

Huka

All dimensions in millimetres

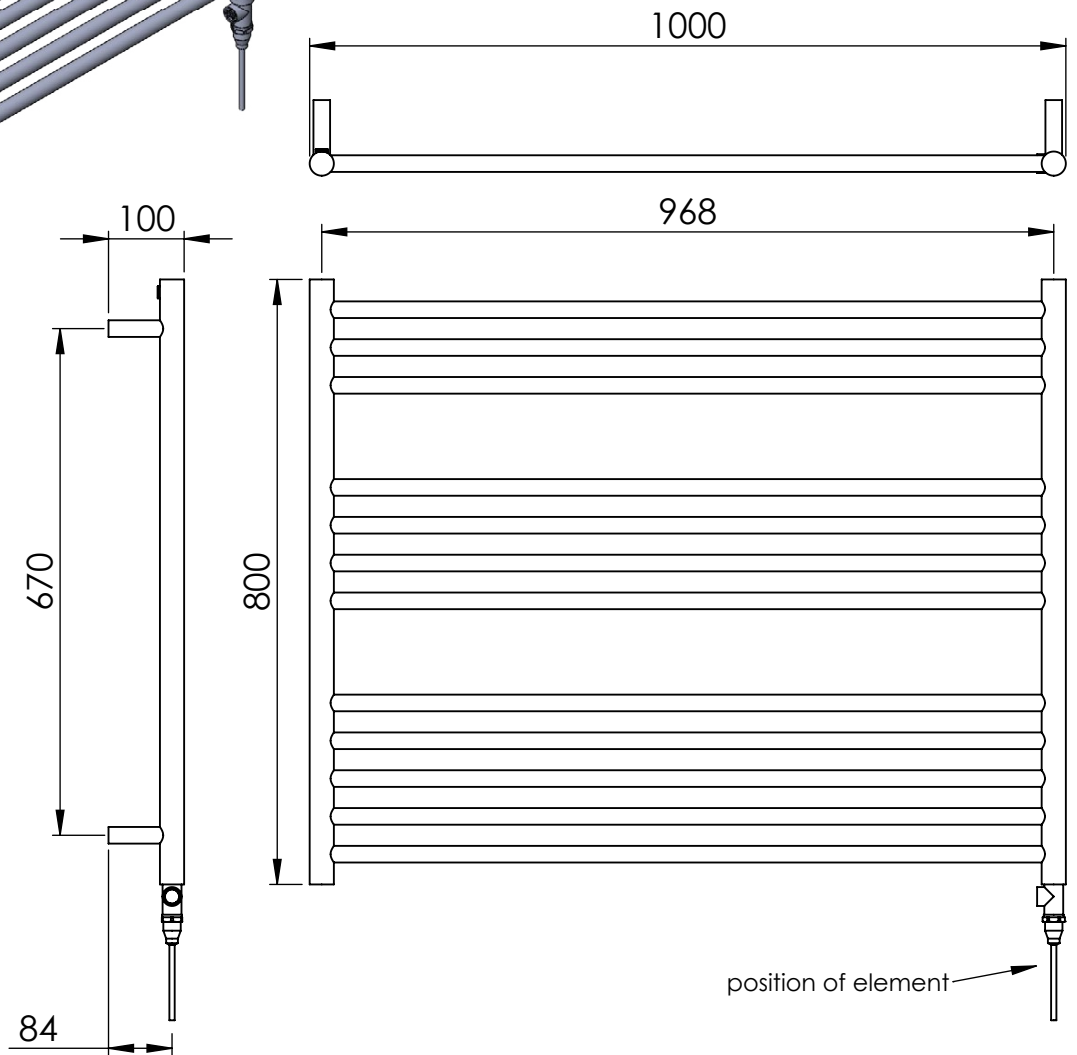
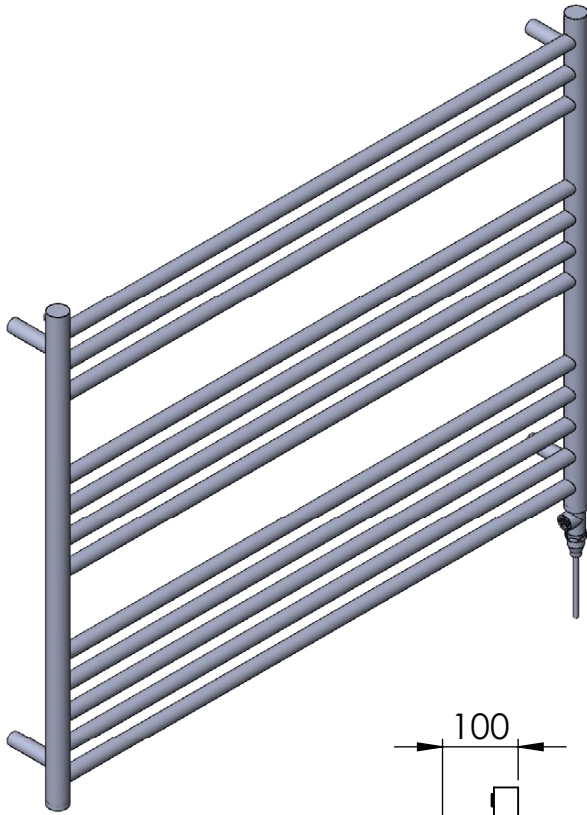
Manufactured from 1.4201/X5CrNi18-10 stainless steel

SCALE 1:10

E70361

Height: 800
Width: 1000
Depth: 100

Tube ϕ : 31.8 + 22
Pipe Centres / Face-Face Cons: 968
Elec. element if specified: 150 W
Output @ 50° C Δ T Watts: 682 W
BTUs: 2327 W



esteem[®]
bathrooms

Huka

All dimensions in millimetres

Manufactured from 1.4201/X5CrNi18-10 stainless steel

SCALE 1:10