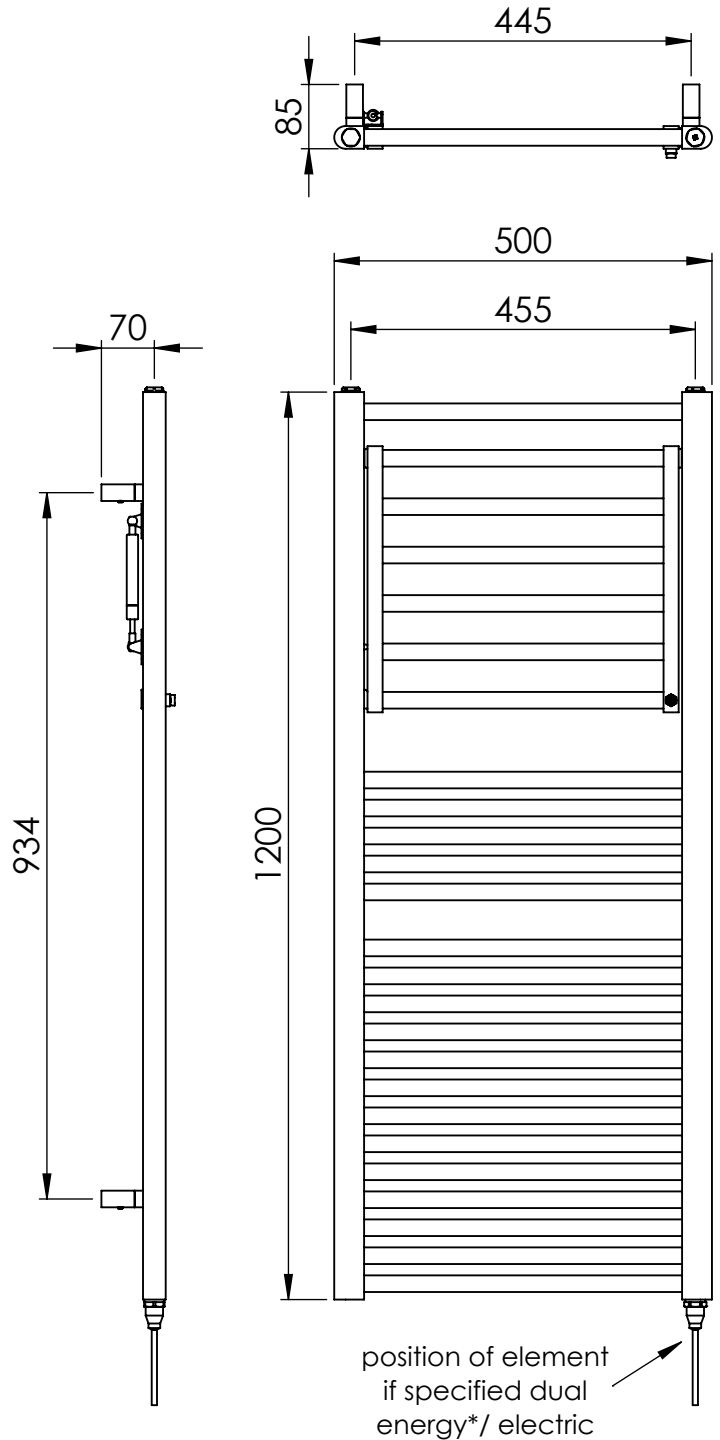
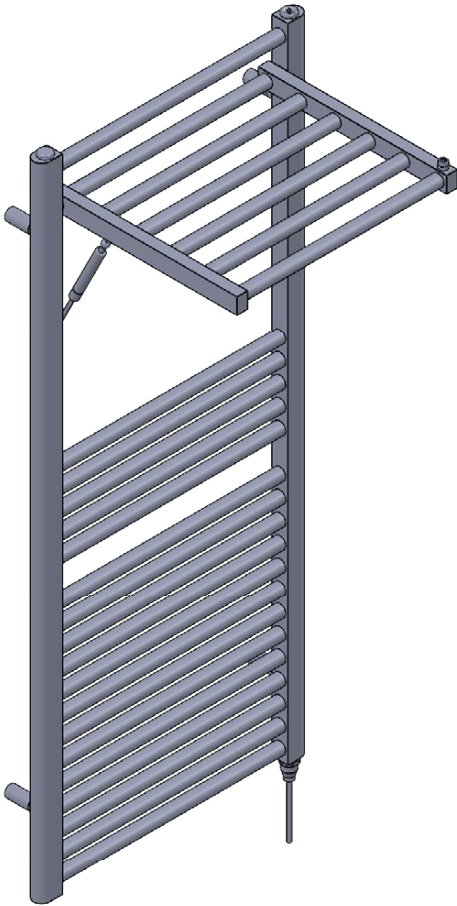


E70391

Height: 1200
Width: 500
Depth: 85

Tube ϕ : 30x40 D Section + 22
Pipe Centres / Face-Face Cons: 455
Elec. element if specified: 300 W
Output @ 50° C Δ T Watts: 377 W
BTUs: 1286 W



*Dual energy models require a conversion-tee, consult relevant drawing for details.



Fulmer

All dimensions in millimetres

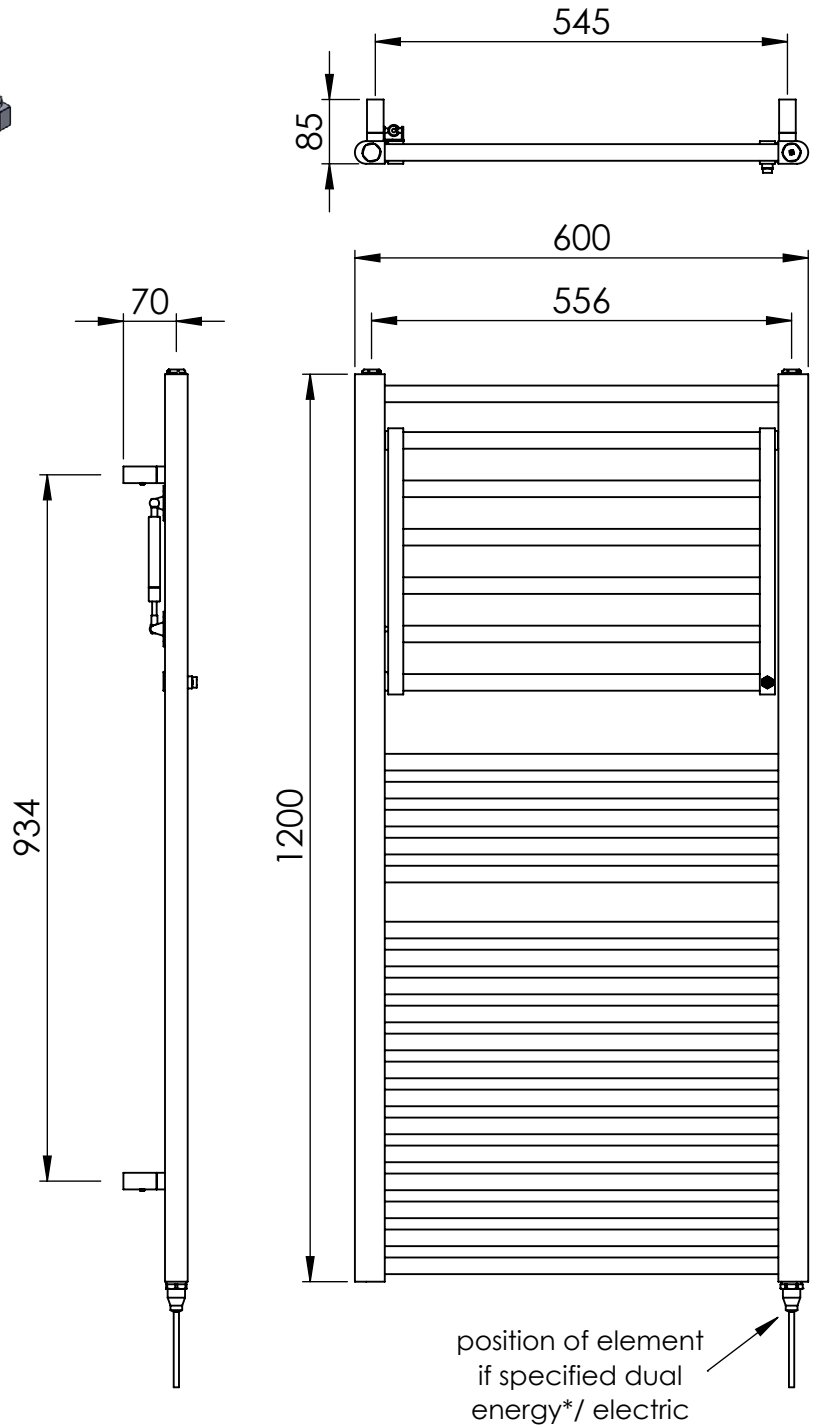
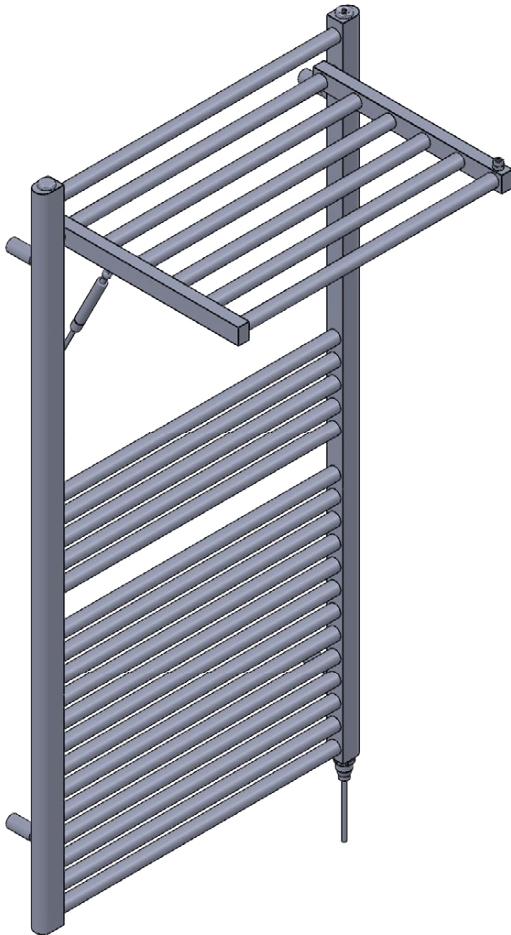
Manufactured from Mild Steel

SCALE 1:10

E70392

Height: 1200
Width: 600
Depth: 85

Tube ϕ : 30x40 D Section + 22
Pipe Centres / Face-Face Cons: 555
Elec. element if specified: 300 W
Output @ 50° C Δ T Watts: 452 W
BTUs: 1542 W



*Dual energy models require a conversion-tee, consult relevant drawing for details.



Fulmer

All dimensions in millimetres

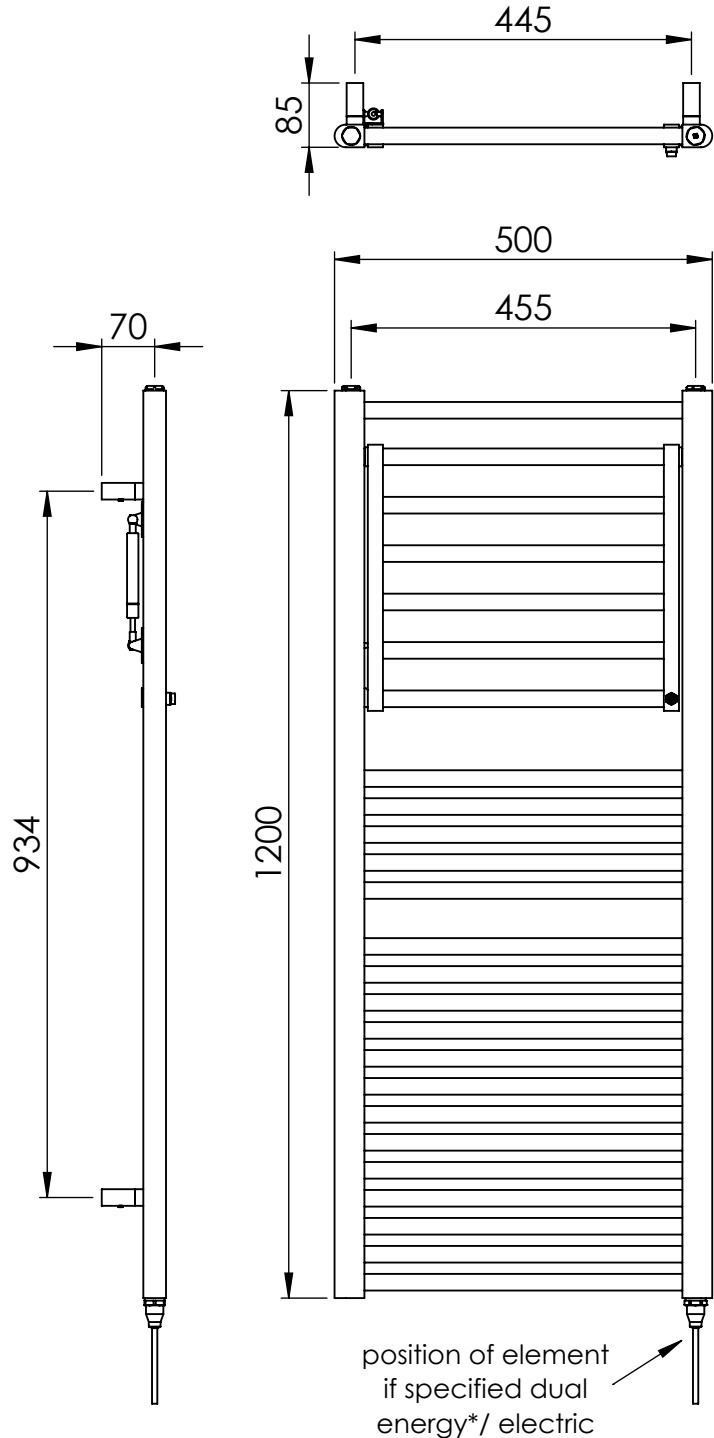
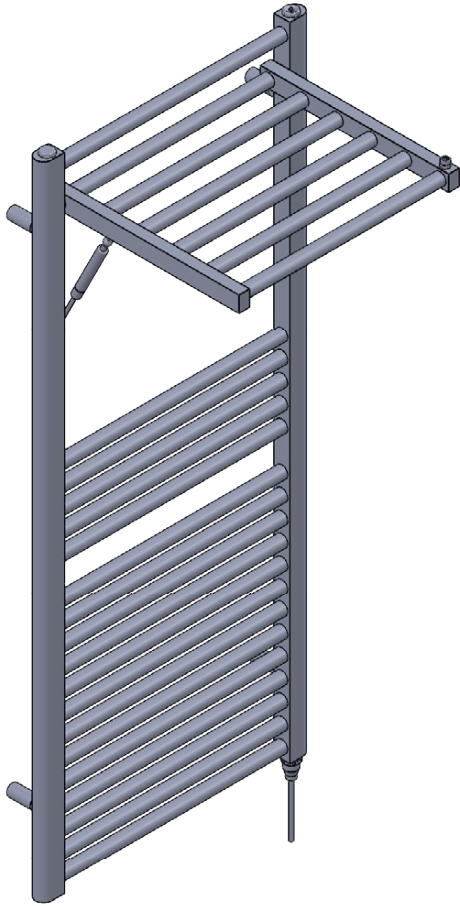
Manufactured from Mild Steel

SCALE 1:10

E70393

Height: 1200
Width: 500
Depth: 85

Tube ϕ : 30x40 D Section + 22
Pipe Centres / Face-Face Cons: 455
Elec. element if specified: 300 W
Output @ 50° C Δ T Watts: 507 W
BTUs: 1945 W



*Dual energy models require a conversion-tee, consult relevant drawing for details.



Fulmer

All dimensions in millimetres

Manufactured from Mild Steel

SCALE 1:10