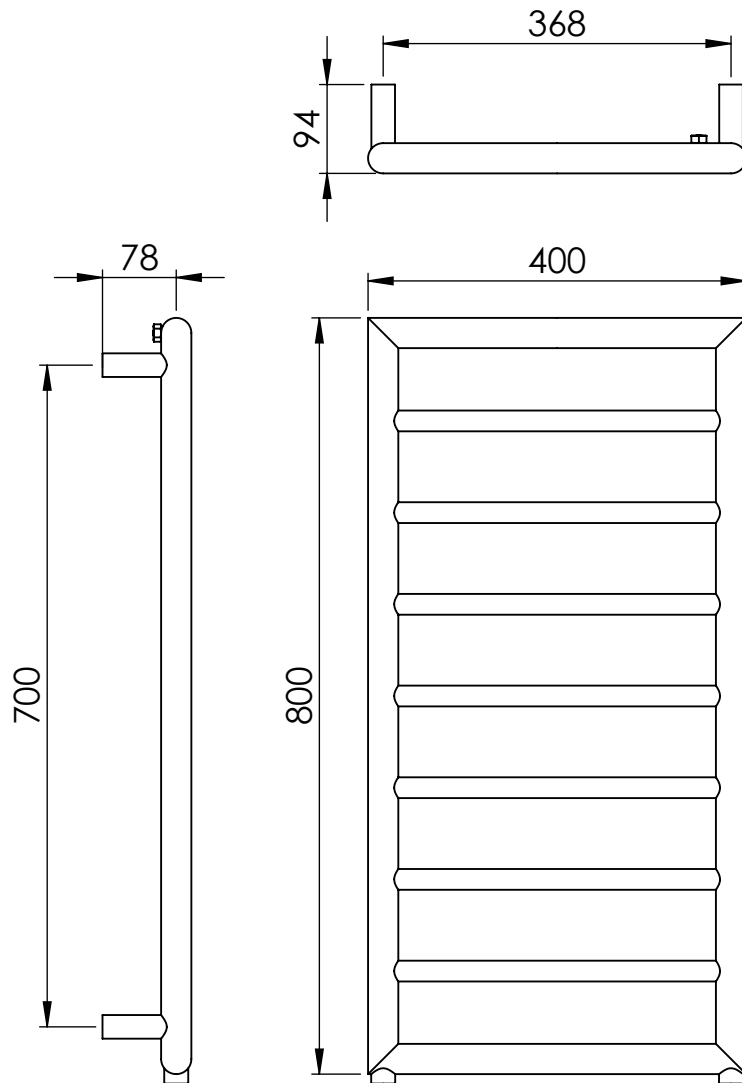
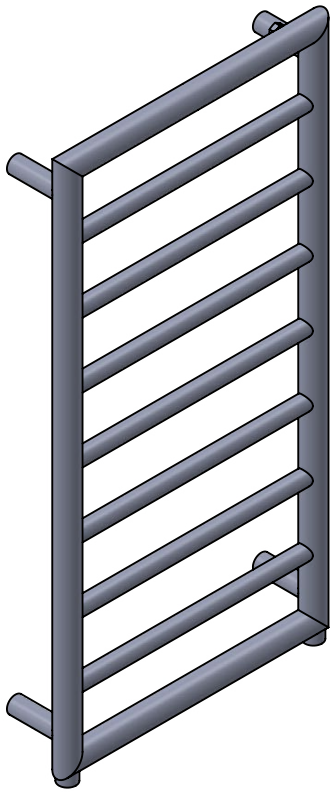


E70275

Height: 800
Width: 400
Depth: 94

Tube ϕ : 32 + 22
Pipe Centres / Face-Face Cons: 368
Output @ 50° C Δ T Watts: 163 W
BTUs: 556 W



ANTA

All dimensions in millimetres

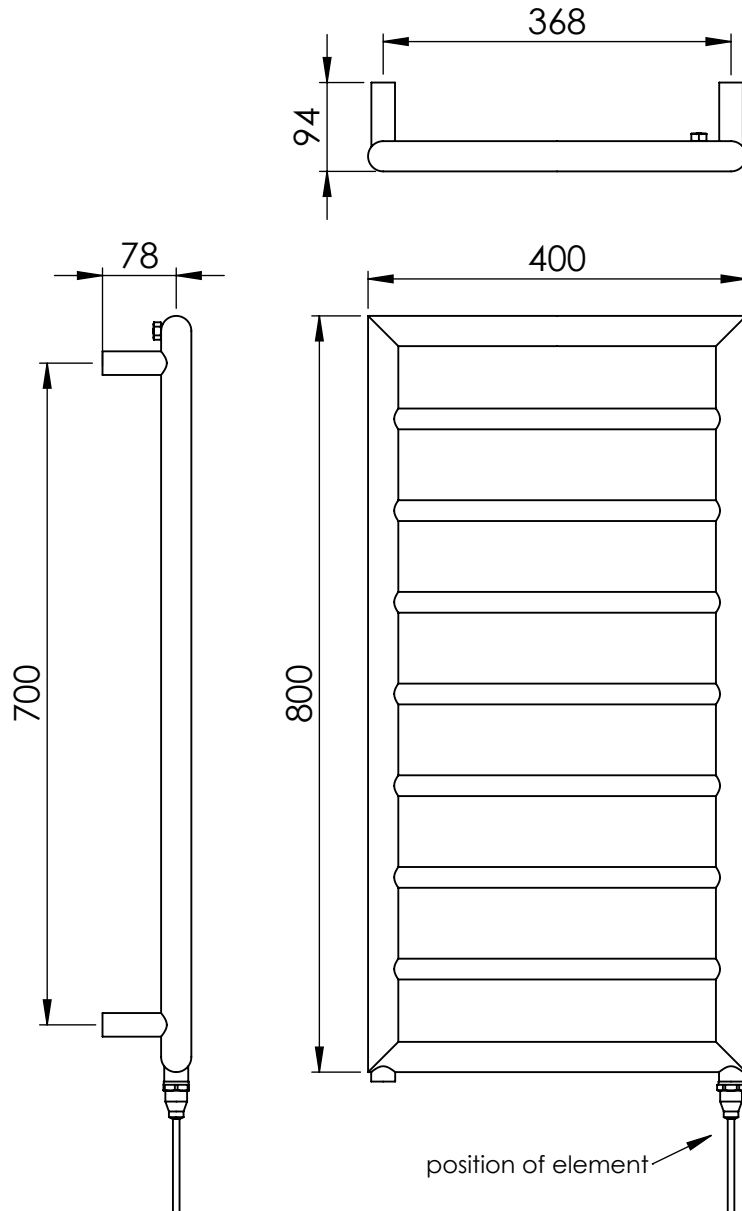
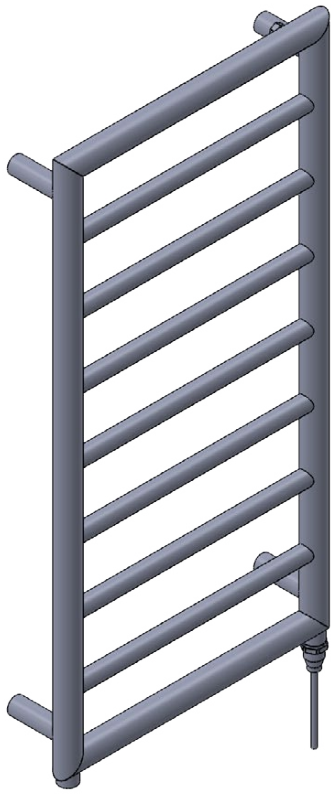
Manufactured from Mild Steel

SCALE 1:8

E70276

Height: 800
Width: 400
Depth: 94

Tube ϕ : 32 + 22
Pipe Centres / Face-Face Cons: 368
Elec. element if specified: 100 W



esteem[®]
bathrooms

Anta

All dimensions in millimetres

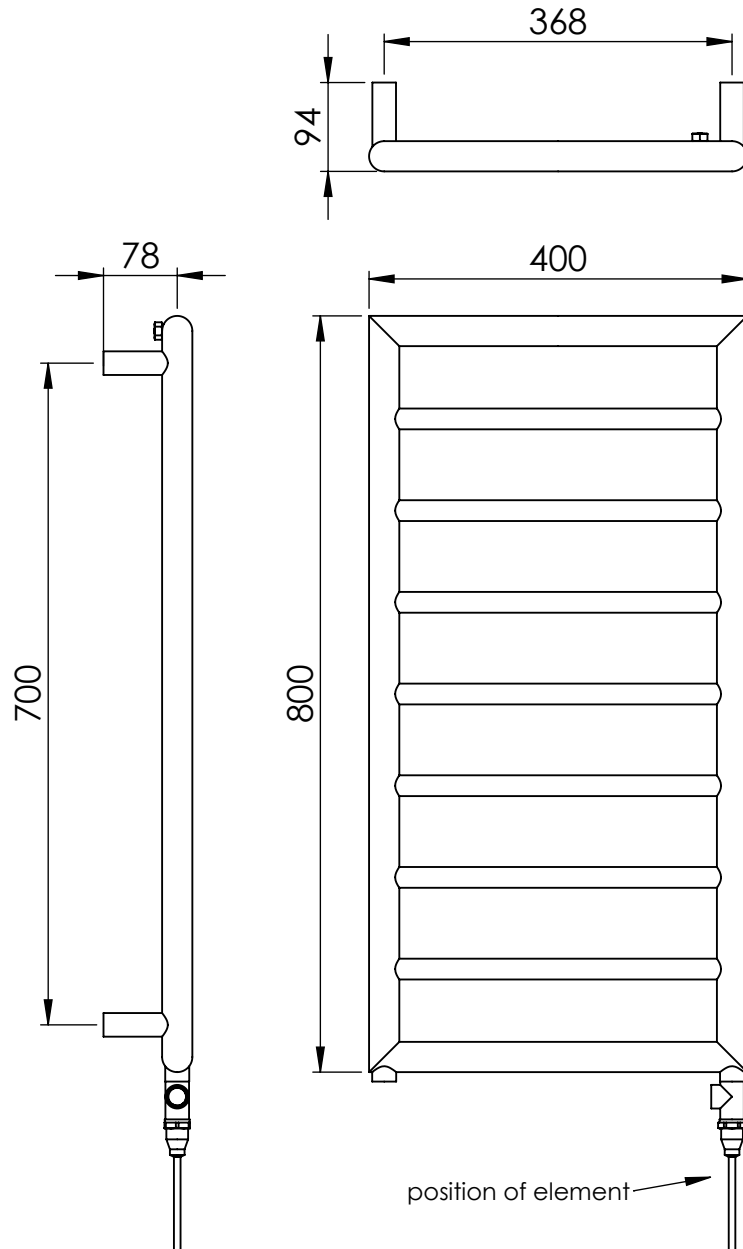
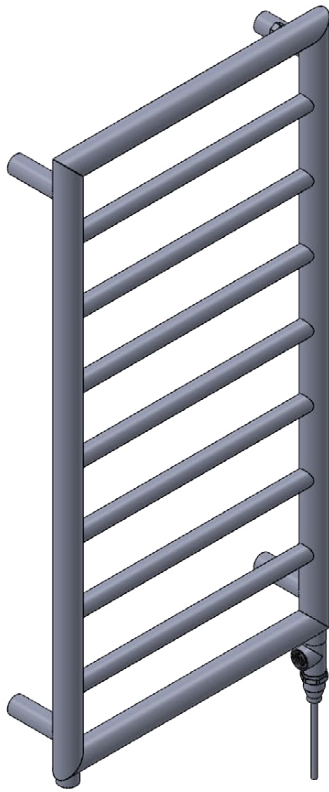
Manufactured from Mild Steel

SCALE 1:8

E70277

Height: 800
Width: 400
Depth: 94

Tube ϕ : 32 + 22
Pipe Centres / Face-Face Cons: 368
Elec. element if specified: 100 W
Output @ 50° C Δ T Watts: 163 W
BTUs: 556 W



Anta

All dimensions in millimetres

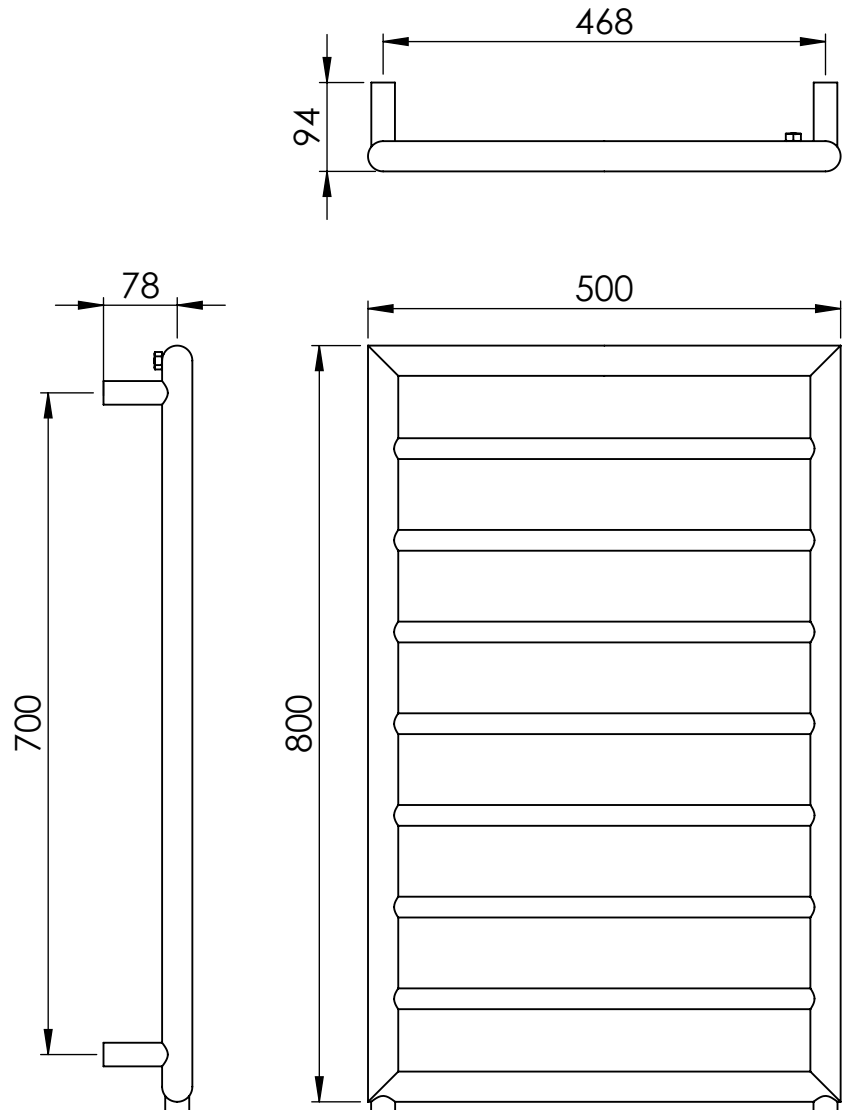
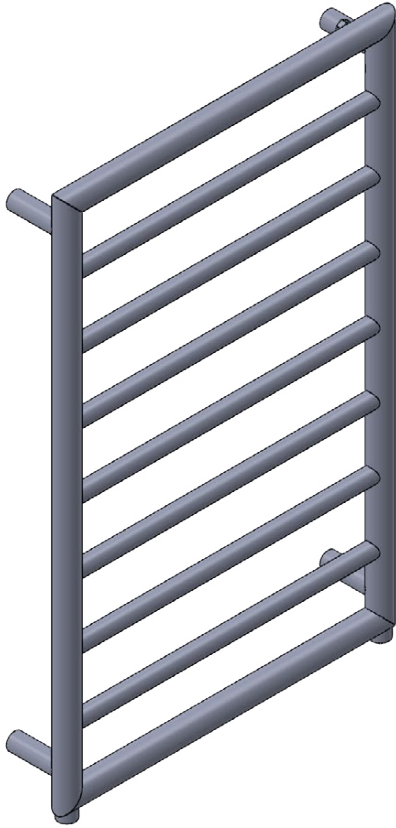
Manufactured from Mild Steel

SCALE 1:8

E70278

Height: 800
Width: 500
Depth: 94

Tube ϕ : 32 + 22
Pipe Centres / Face-Face Cons: 468
Output @ 50° C Δ T Watts: 189 W
BTUs: 645 W



esteem[®]
bathrooms

Anta

All dimensions in millimetres

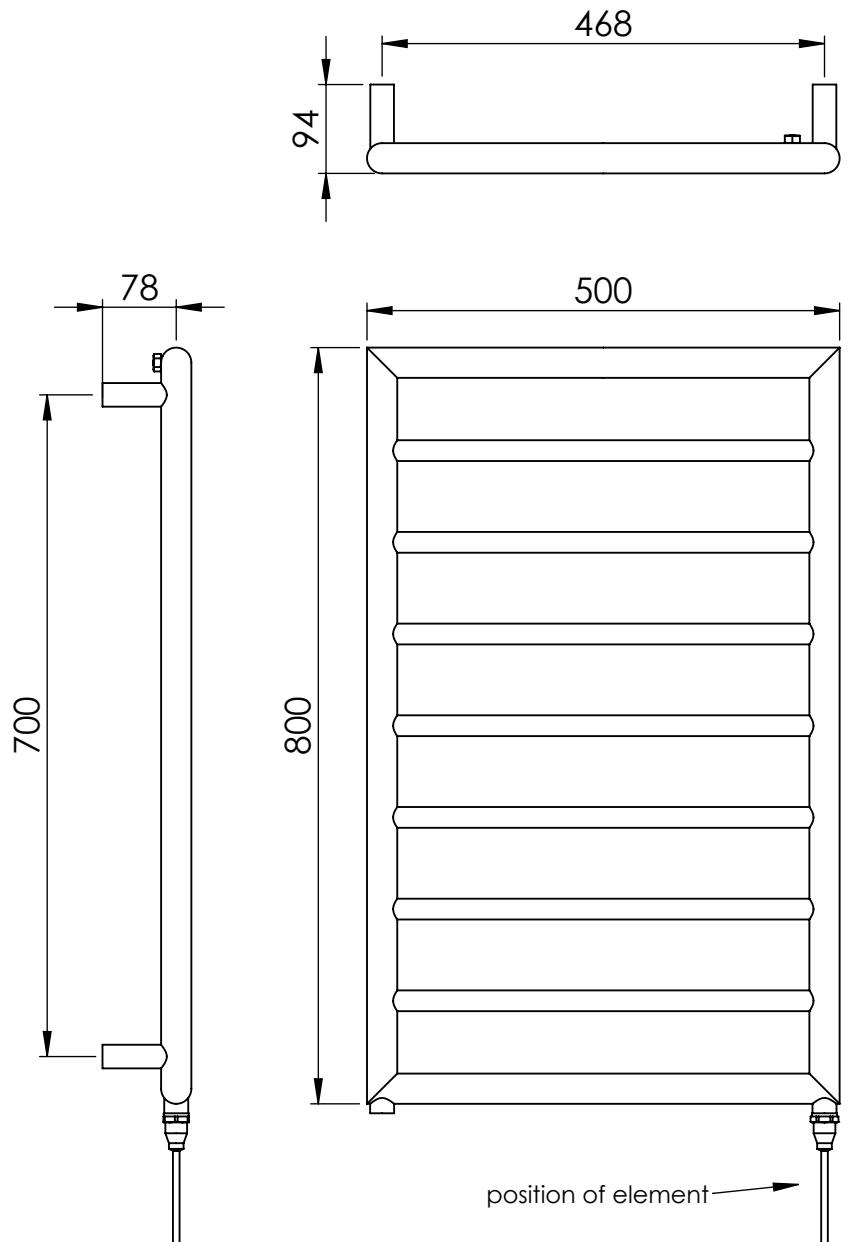
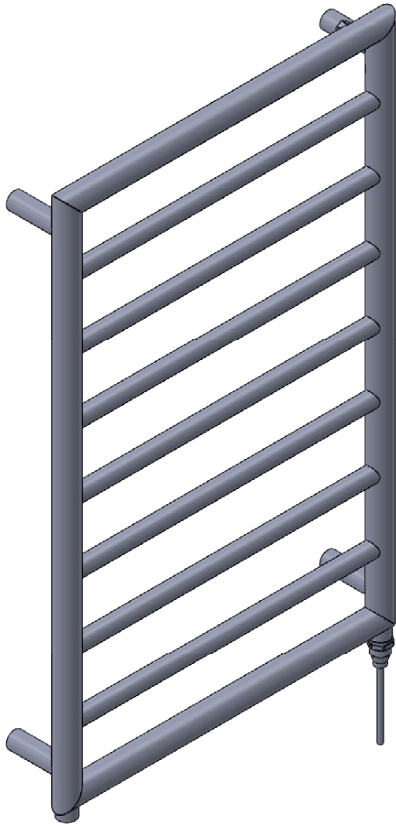
Manufactured from Mild Steel

SCALE 1:8

E70279

Height: 800
Width: 500
Depth: 94

Tube ϕ : 32 + 22
Pipe Centres / Face-Face Cons: 468
Elec. element if specified: 125 W



esteem[®]
bathrooms

Anta

All dimensions in millimetres

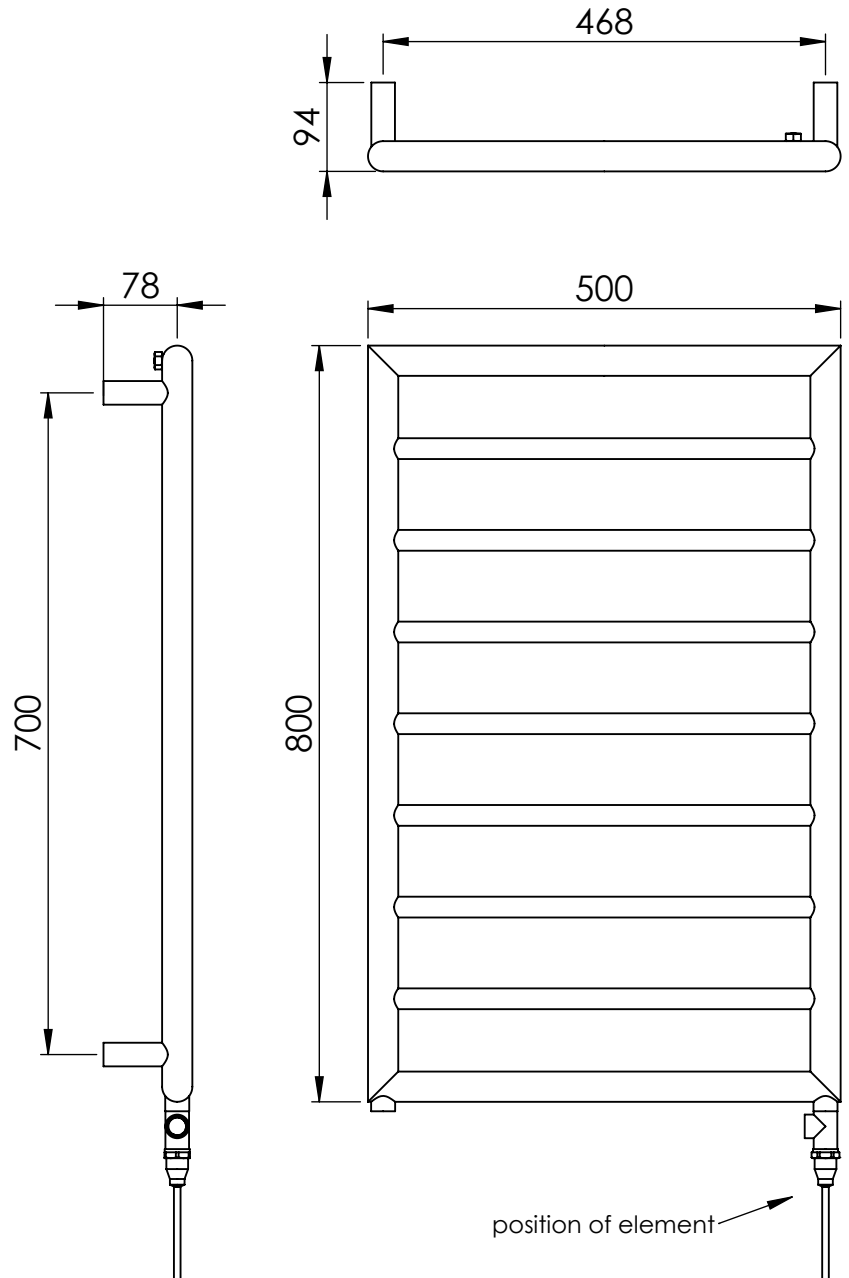
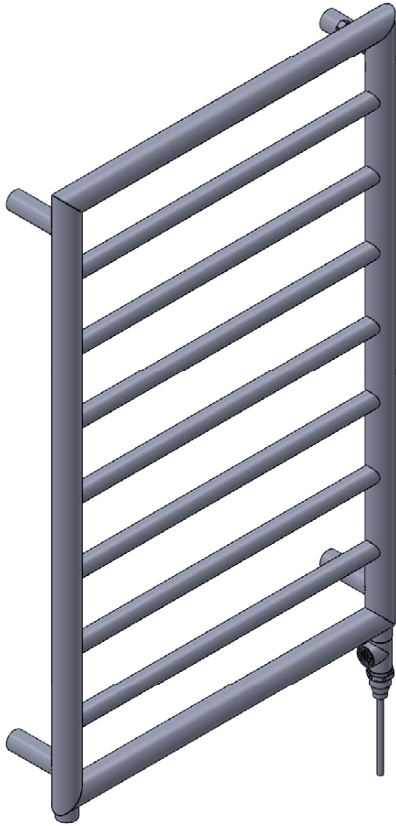
Manufactured from Mild Steel

SCALE 1:8

E70280

Height: 800
Width: 500
Depth: 94

Tube ϕ : 32 + 22
Pipe Centres / Face-Face Cons: 468
Elec. element if specified: 125 W
Output @ 50° C Δ T Watts: 189 W
BTUs: 645 W



esteem[®]
bathrooms

Anta

All dimensions in millimetres

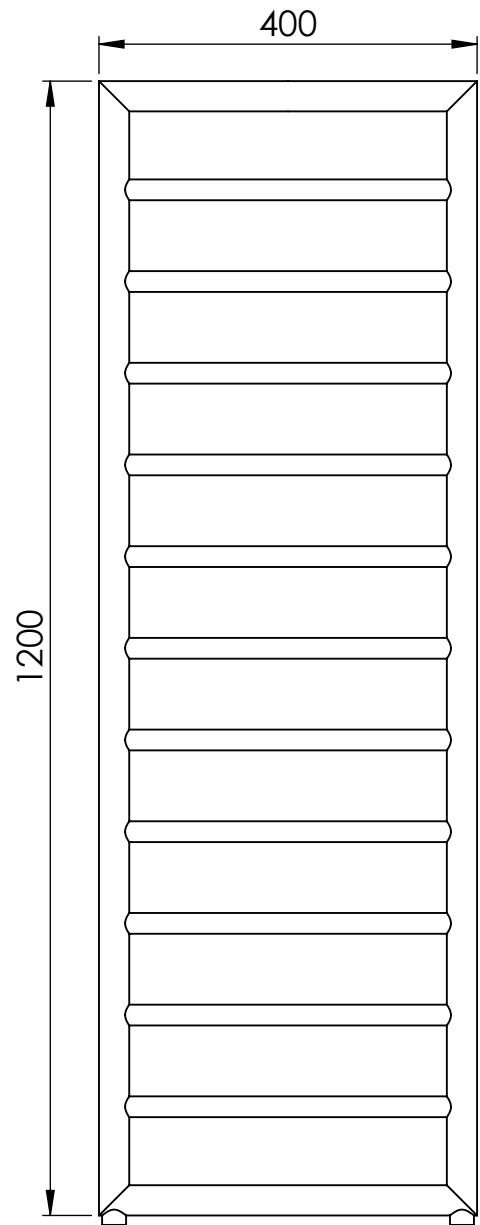
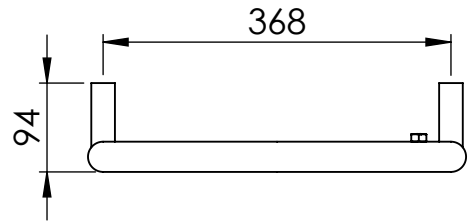
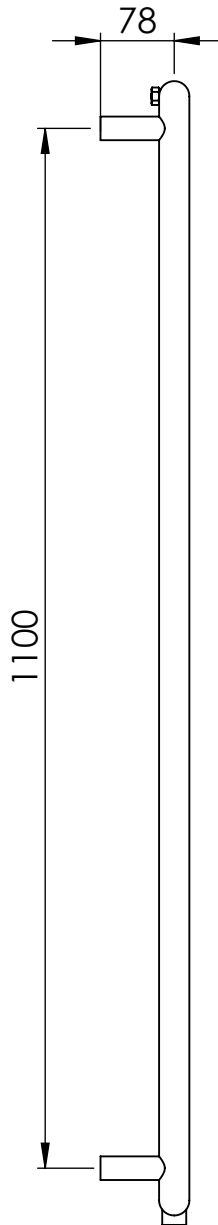
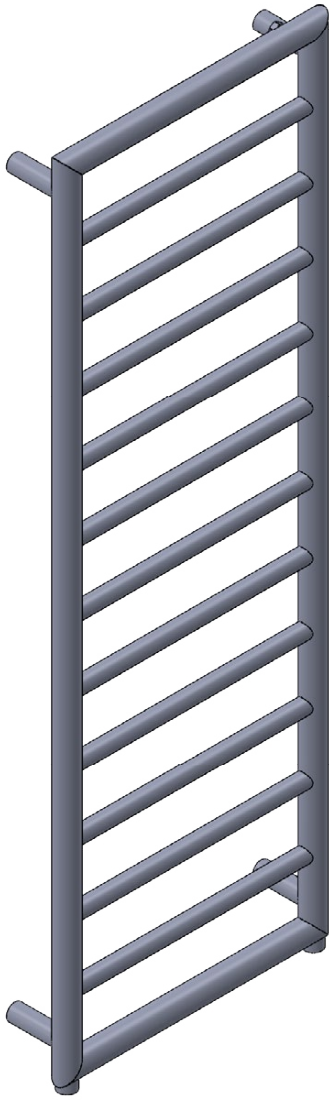
Manufactured from Mild Steel

SCALE 1:8

E70281

Height: 1200
Width: 400
Depth: 94

Tube ϕ : 32 + 22
Pipe Centres / Face-Face Cons: 368
Output @ 50° C Δ T Watts: 235 W
BTUs: 802 W



Anta

All dimensions in millimetres

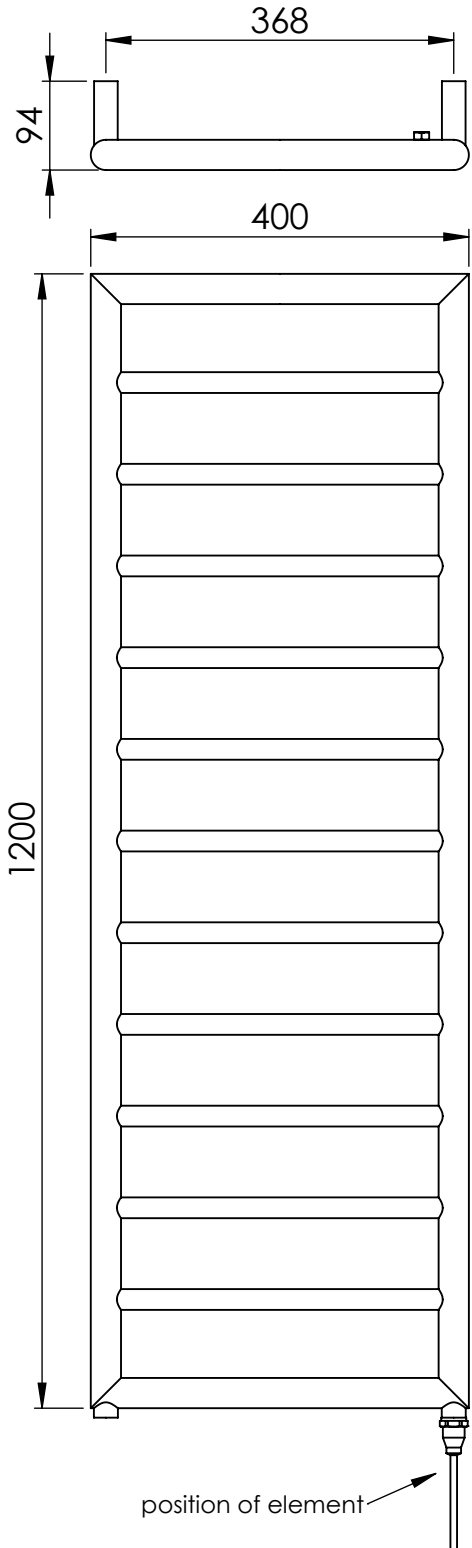
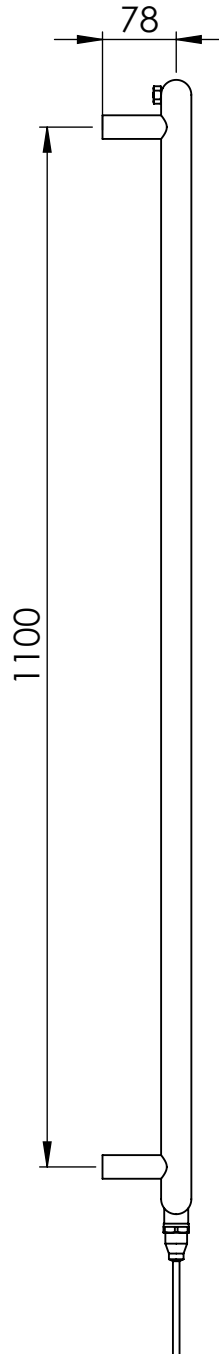
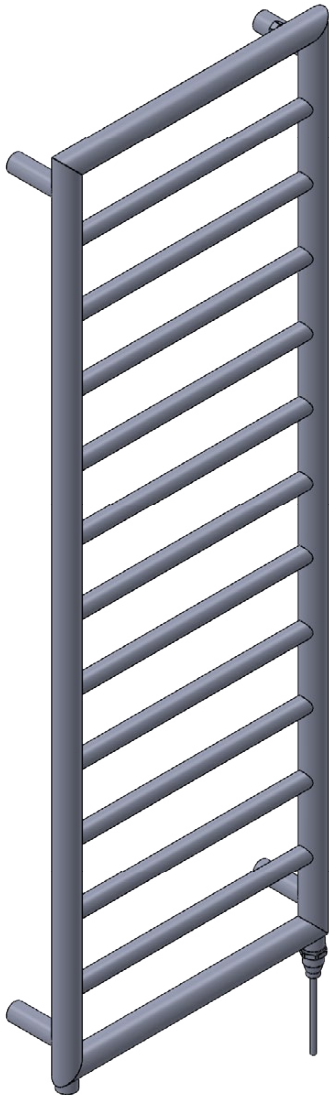
Manufactured from Mild Steel

SCALE 1:8

E70282

Height: 1200
Width: 400
Depth: 94

Tube ϕ : 32 + 22
Pipe Centres / Face-Face Cons: 368
Elec. element if specified: 150 W



esteem[®]
bathrooms

Anta

All dimensions in millimetres

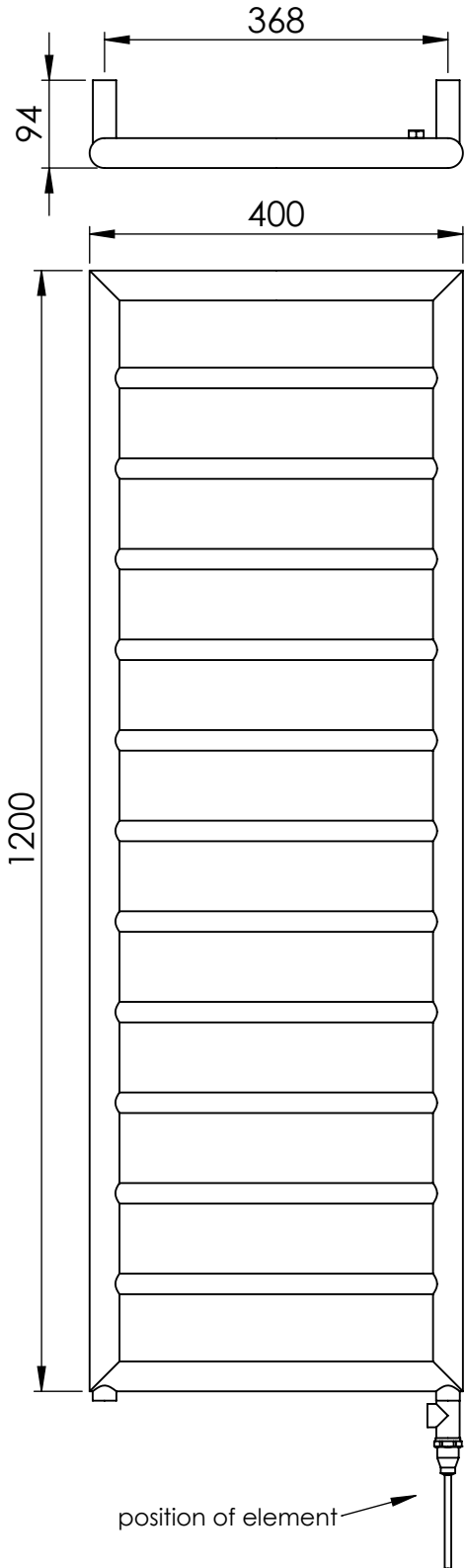
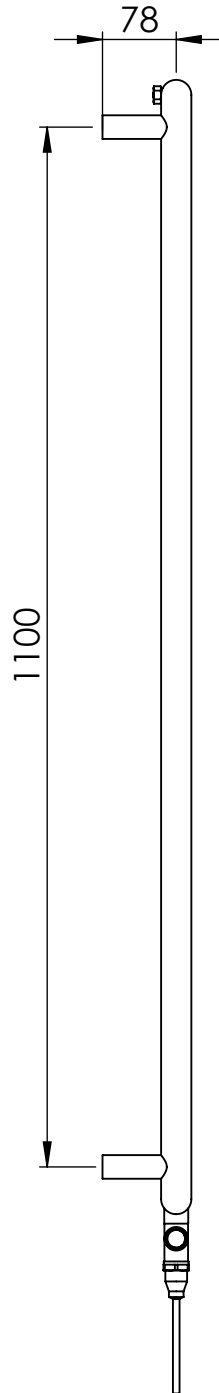
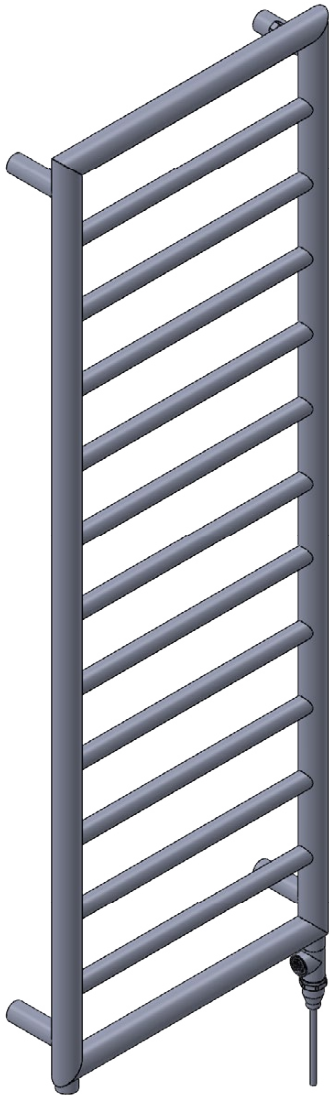
Manufactured from Mild Steel

SCALE 1:8

E70283

Height: 1200
Width: 400
Depth: 94

Tube ϕ : 32 + 22
Pipe Centres / Face-Face Cons: 368
Elec. element if specified: 150 W
Output @ 50° C Δ T Watts: 235 W
BTUs: 802 W



esteem[®]
bathrooms

Anta

All dimensions in millimetres

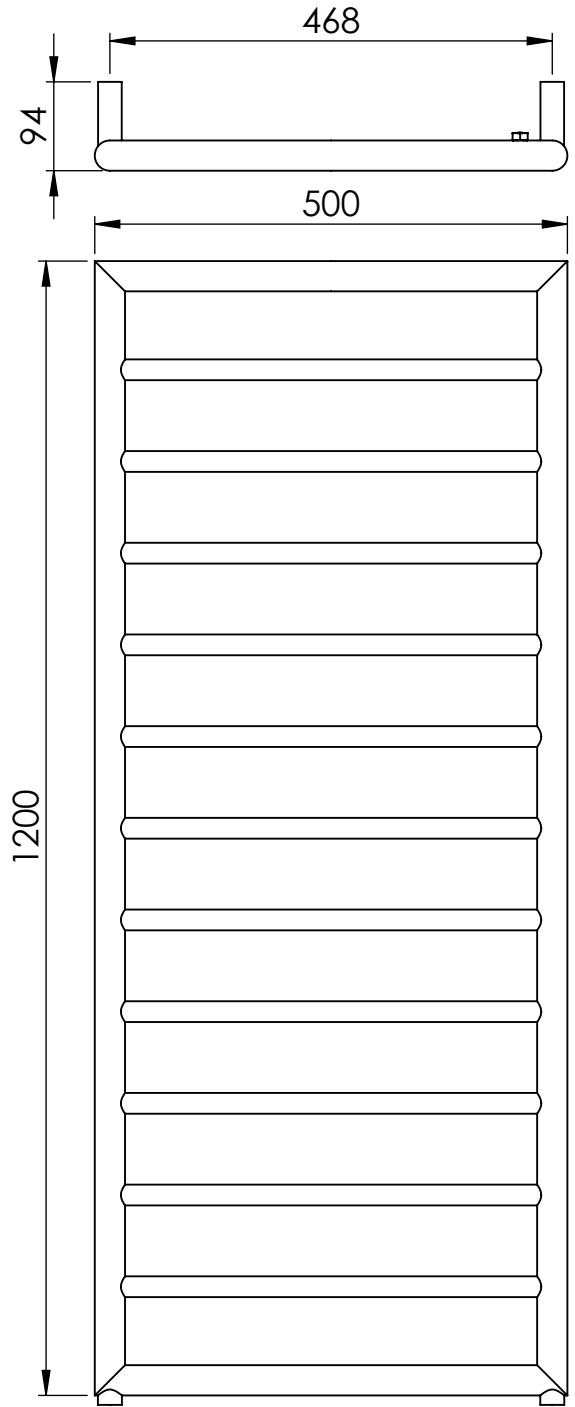
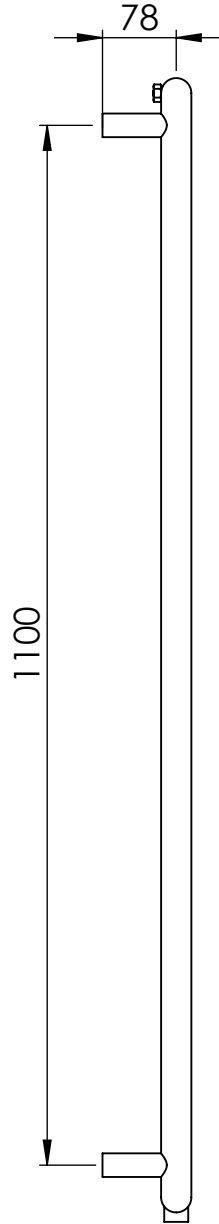
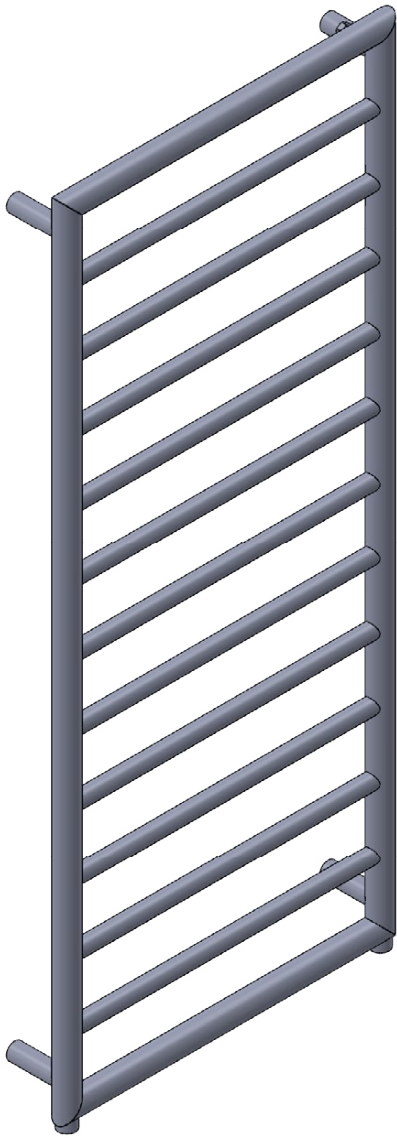
Manufactured from Mild Steel

SCALE 1:8

E70284

Height: 1200
Width: 500
Depth: 94

Tube ϕ : 32 + 22
Pipe Centres / Face-Face Cons: 468
Output @ 50° C Δ T Watts: 271 W
BTUs: 925 W



esteem[®]
bathrooms

Anta

All dimensions in millimetres

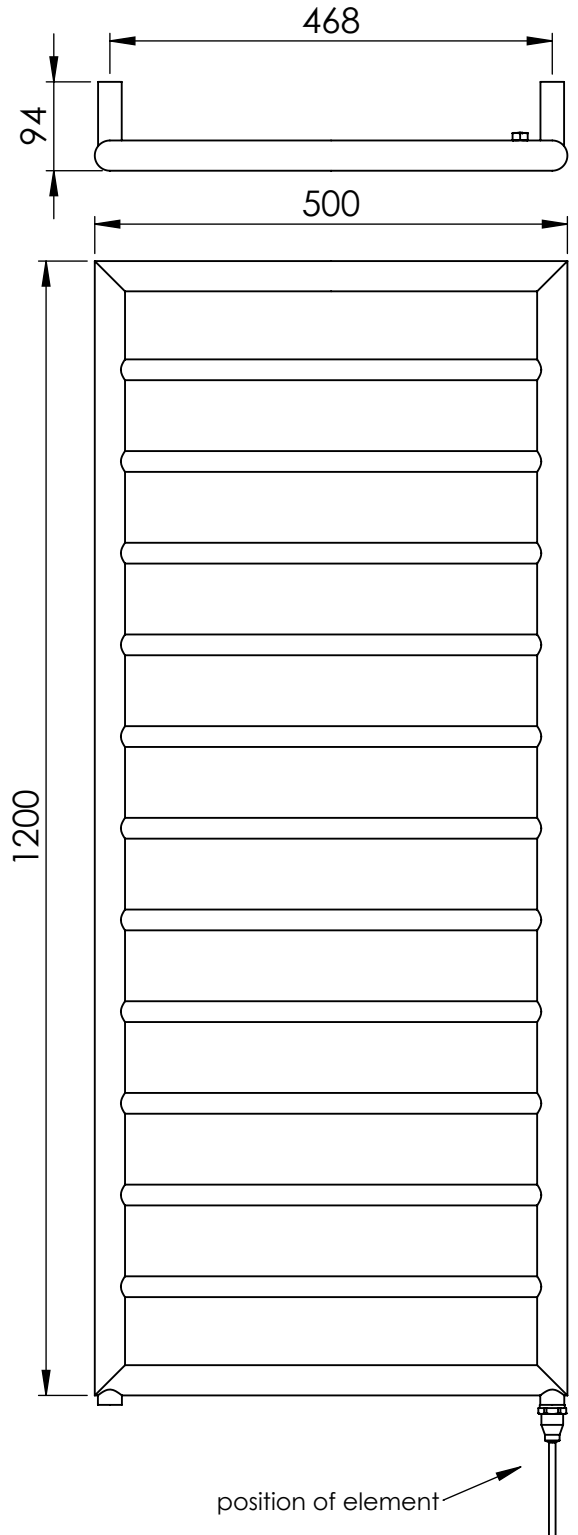
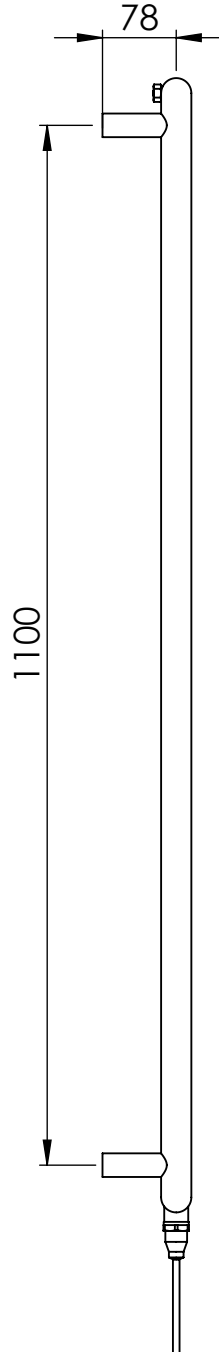
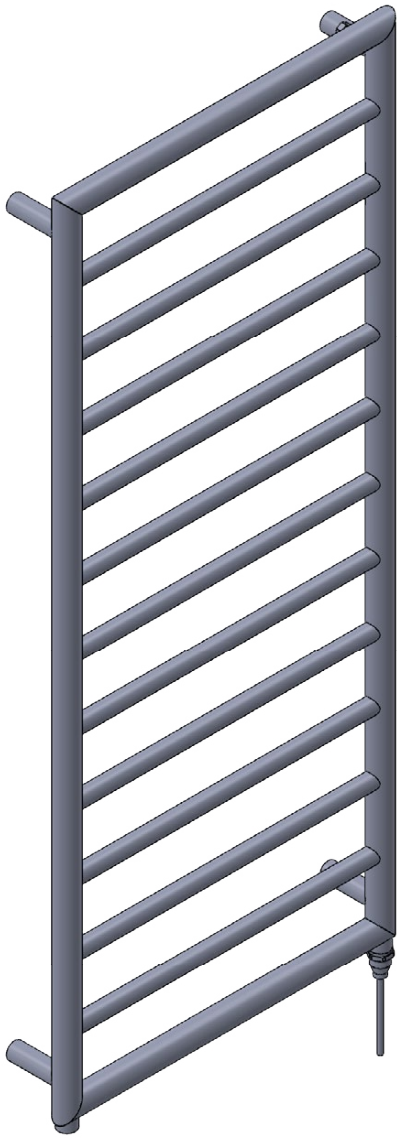
Manufactured from Mild Steel

SCALE 1:8

E70285

Height: 1200
Width: 500
Depth: 94

Tube ϕ : 32 + 22
Pipe Centres / Face-Face Cons: 468
Elec. element if specified: 150 W



esteem[®]
bathrooms

Anta

All dimensions in millimetres

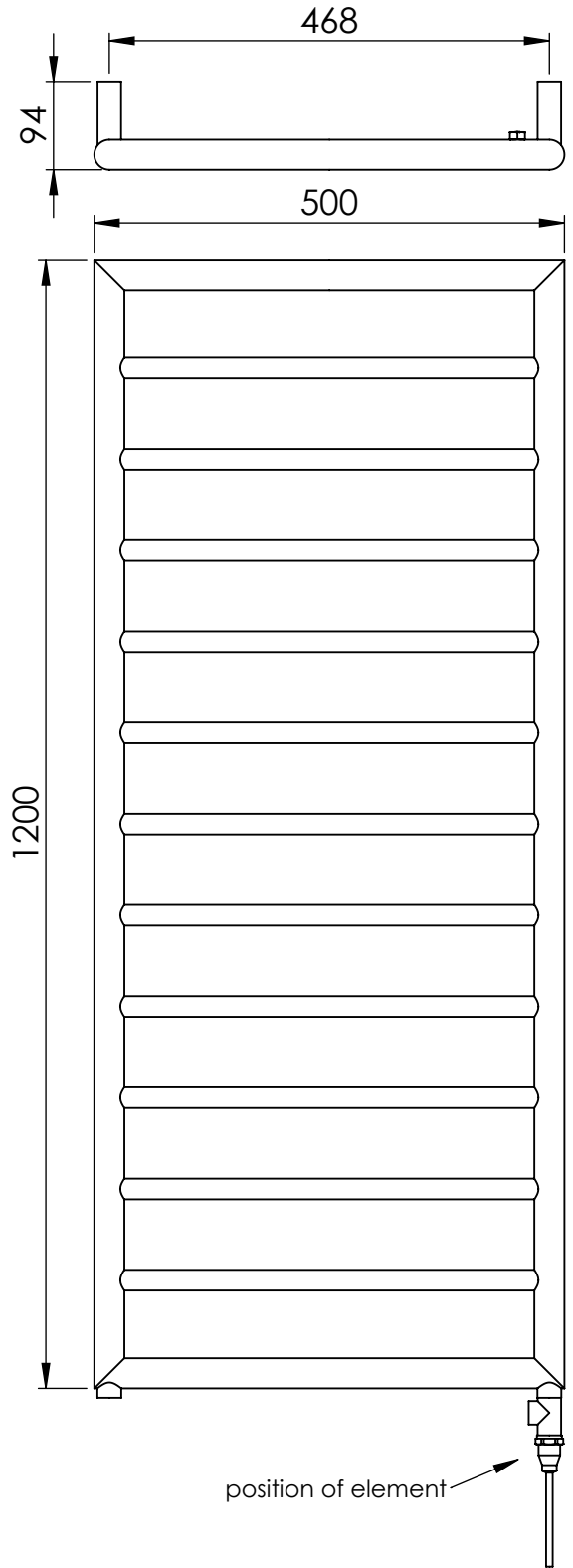
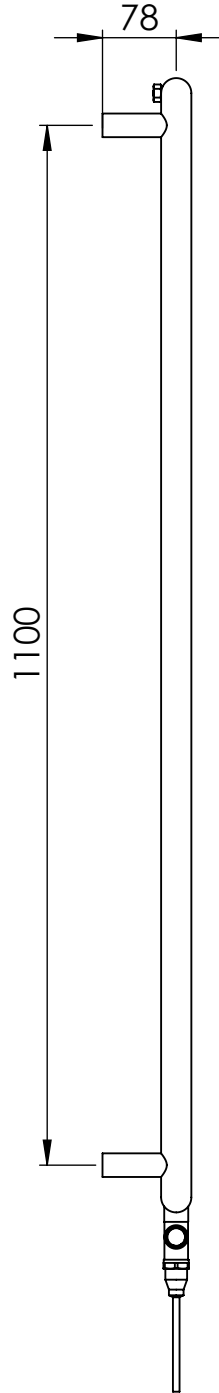
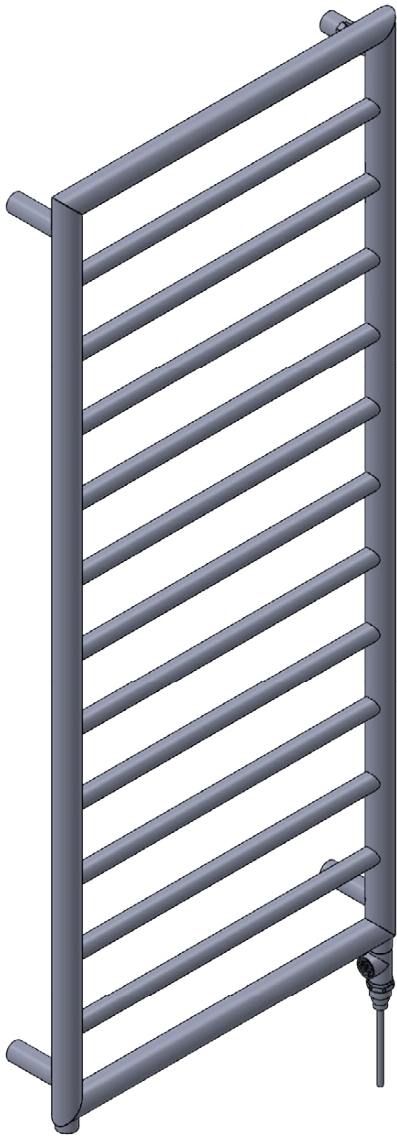
Manufactured from Mild Steel

SCALE 1:8

E70286

Height: 1200
Width: 500
Depth: 94

Tube ϕ : 32 + 22
Pipe Centres / Face-Face Cons: 468
Elec. element if specified: 150 W
Output @ 50° C Δ T Watts: 271 W
BTUs: 925 W



esteem[®]
bathrooms

Anta

All dimensions in millimetres

Manufactured from Mild Steel

SCALE 1:8