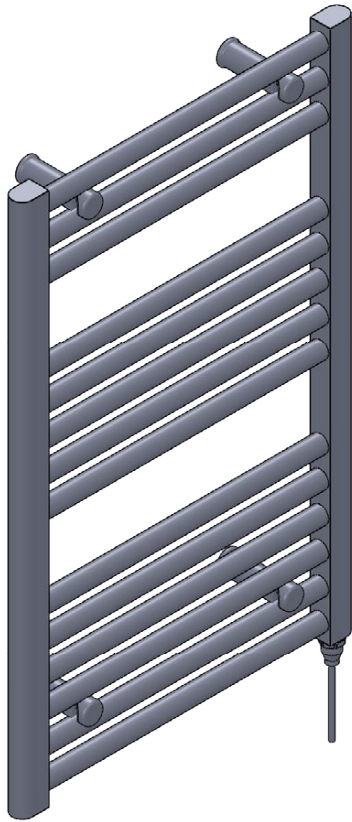


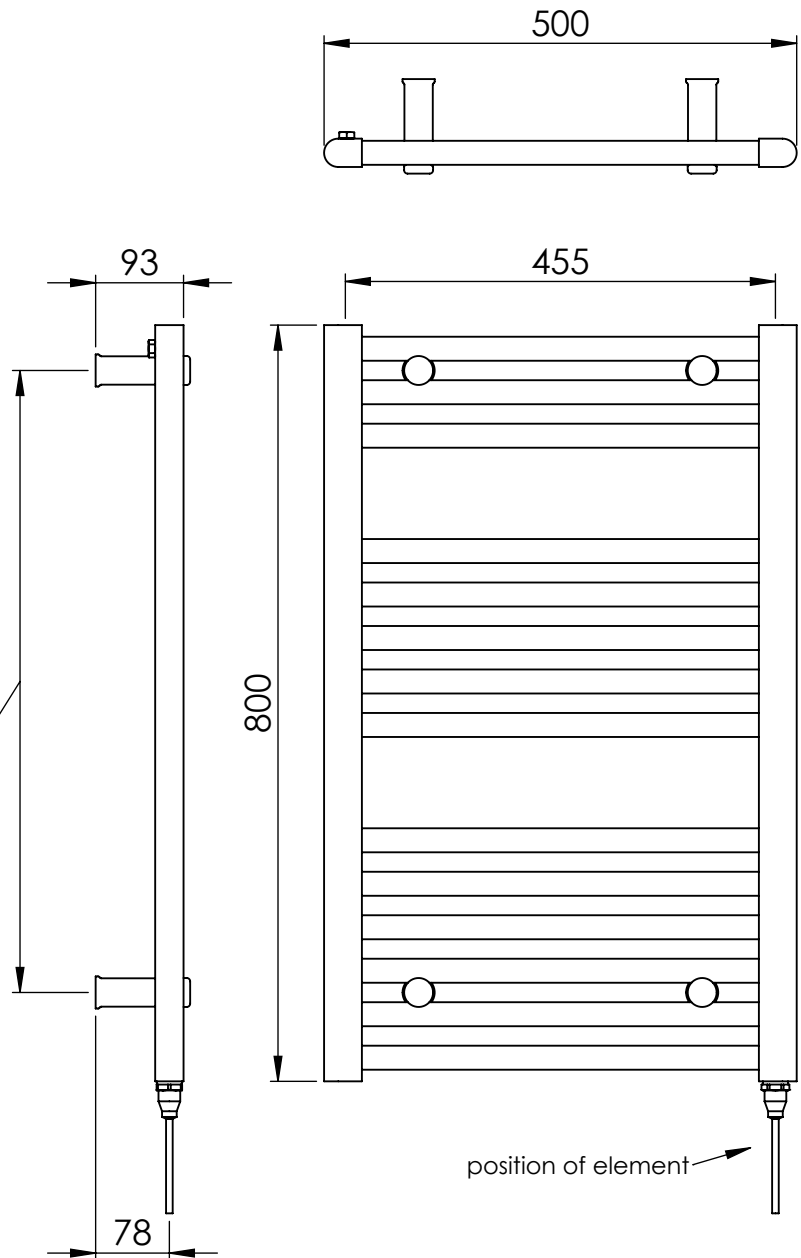
E70082

Height: 800
Width: 500
Depth: 93-113

Tube ϕ : 25 + 30x40 D Section
Pipe Centres / Face-Face Cons: 455
Elec. element if specified: 150 W
Output @ 50° C Δ T Watts: n/a
BTUs: n/a



brackets extendable
by a further 20mm



esteem[®]
bathrooms

25mm Straight

All dimensions in millimetres

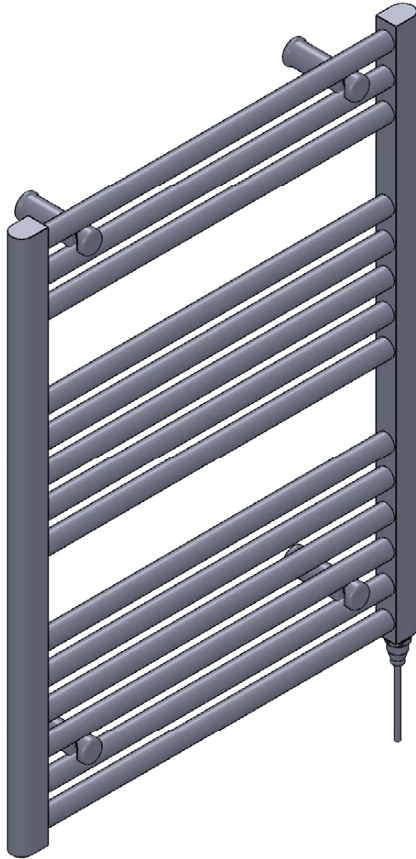
Manufactured from Mild Steel

SCALE 1:8

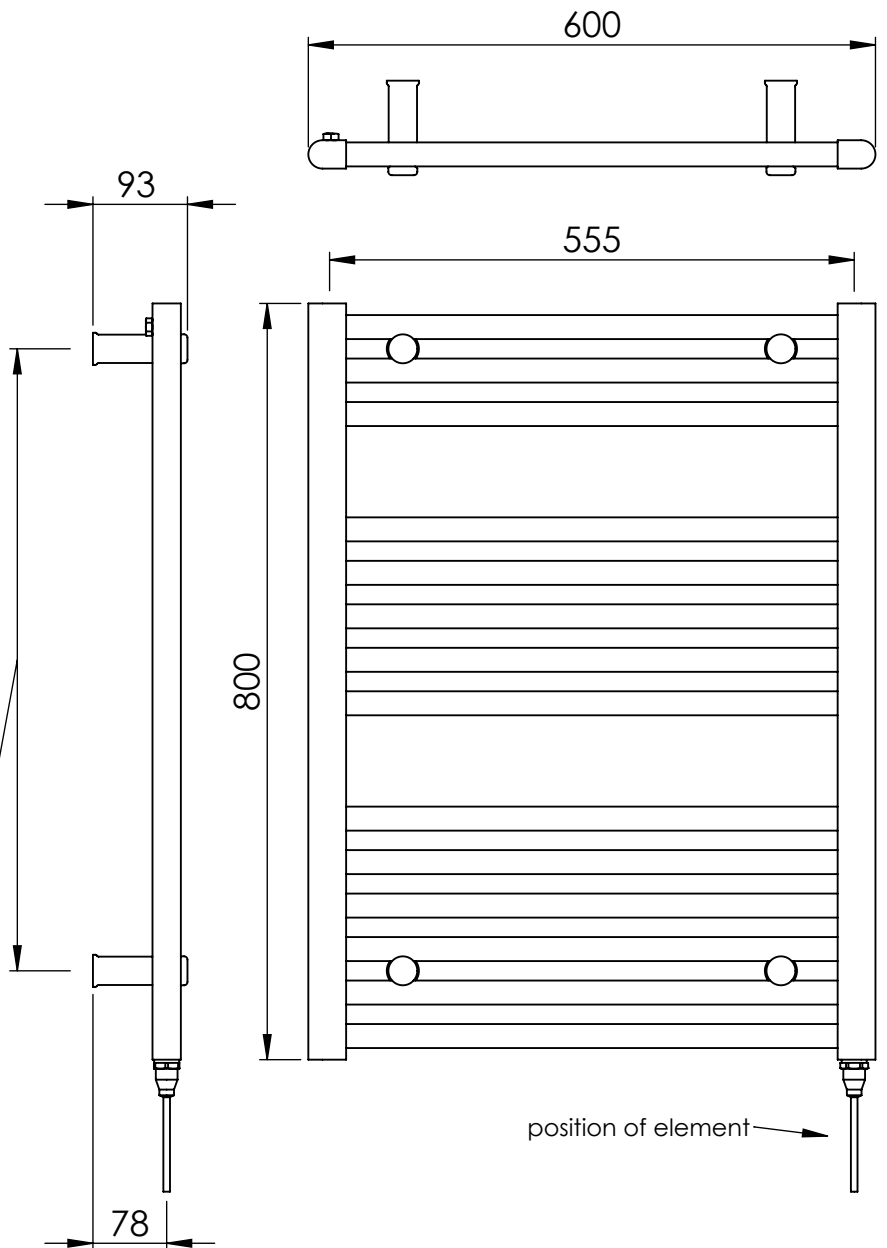
E70083

Height: 800
Width: 600
Depth: 93-113

Tube ϕ : 25 + 30x40 D Section
Pipe Centres / Face-Face Cons: 555
Elec. element if specified: 200 W
Output @ 50° C Δ T Watts: n/a
BTUs: n/a



brackets extendable
by a further 20mm



25mm Straight

All dimensions in millimetres

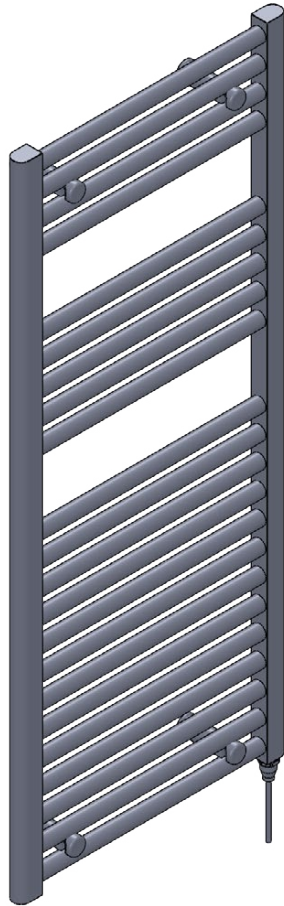
Manufactured from Mild Steel

SCALE 1:8

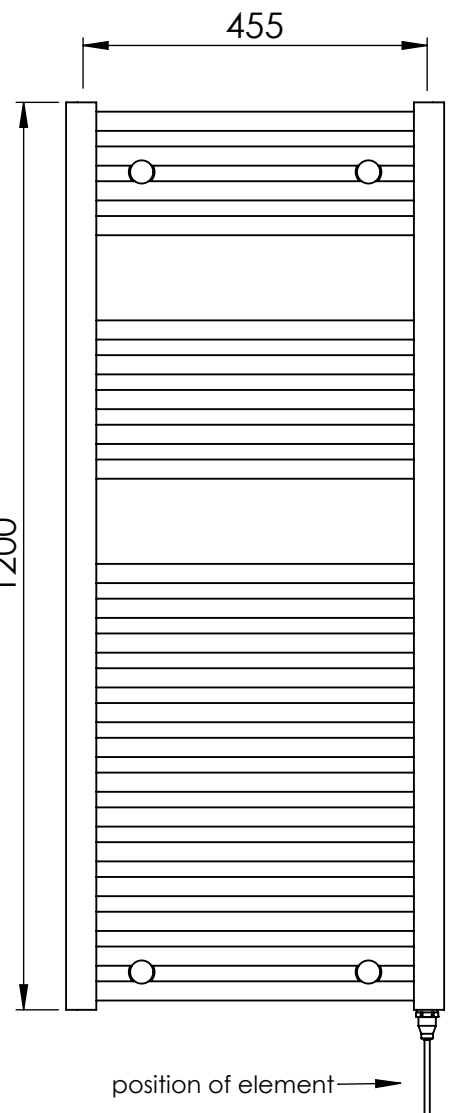
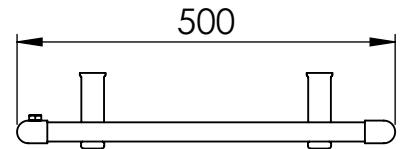
E70084

Height: 1200
Width: 500
Depth: 93-113

Tube ϕ : 25 + 30x40 D Section
Pipe Centres / Face-Face Cons: 455
Elec. element if specified: 300 W
Output @ 50° C Δ T Watts: n/a
BTUs: n/a



brackets extendable
by a further 20mm



esteem[®]
bathrooms

25mm Straight

All dimensions in millimetres

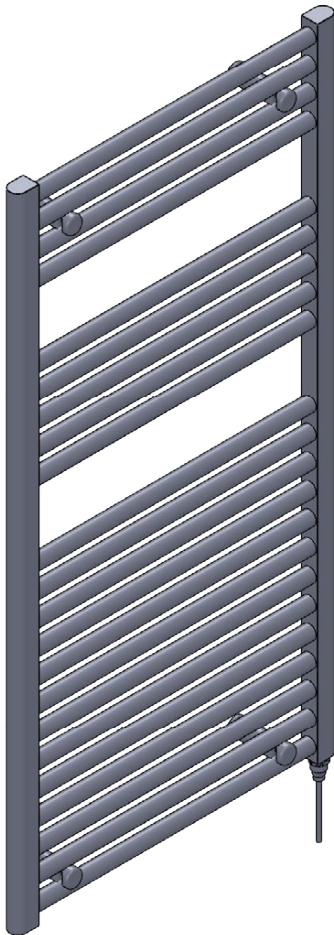
Manufactured from Mild Steel

SCALE 1:10

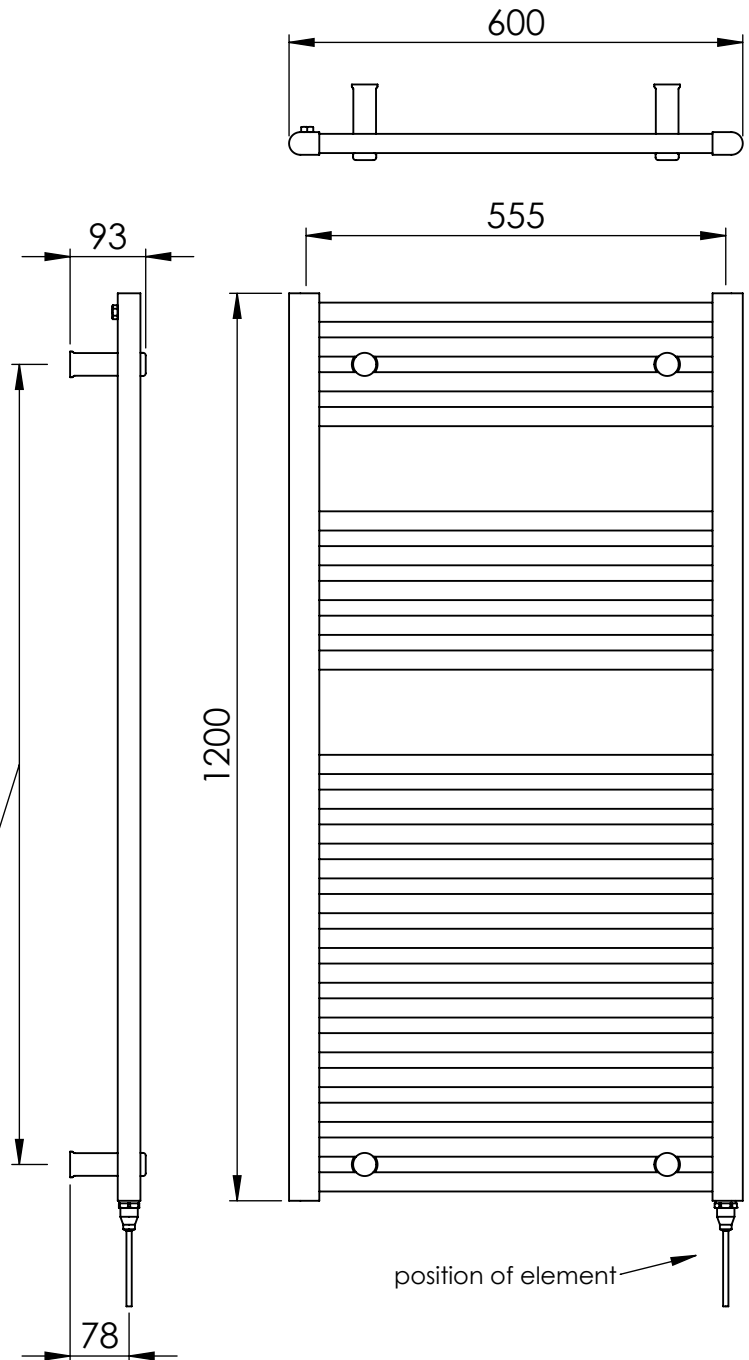
E70085

Height: 1200
Width: 600
Depth: 93-113

Tube ϕ : 25 + 30x40 D Section
Pipe Centres / Face-Face Cons: 555
Elec. element if specified: 400 W
Output @ 50° C Δ T Watts: n/a
BTUs: n/a



brackets extendable
by a further 20mm



esteem[®]
bathrooms

25mm Straight

All dimensions in millimetres

Manufactured from Mild Steel

SCALE 1:10