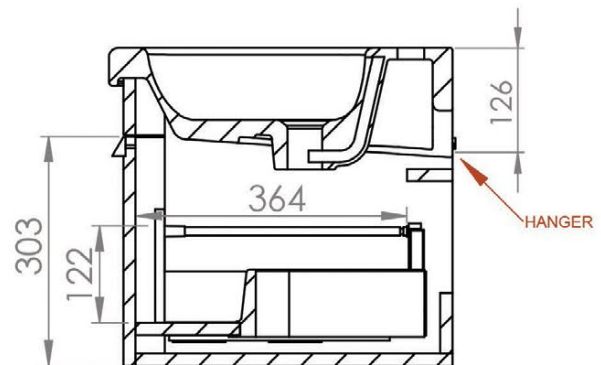
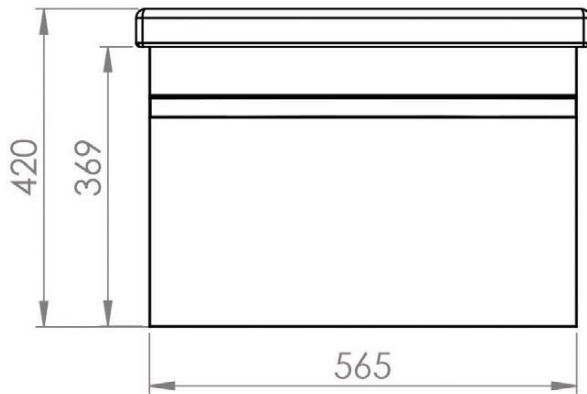


No.	Description
1	600mm Wall Mounted Unit
2	600mm Ceramic Basin

FINISHES	
	
Gloss White	Stone Grey
	
Gloss Light Grey	



Diagrams not to scale. All dimensions in mm (tolerance of +/-5mm)



*Dimensions are subject to change, customers are advised to measure actual product before commencing installation.

**Fixing point dimensions are for guidance only. The positions of wall fixing must be checked when product is received.

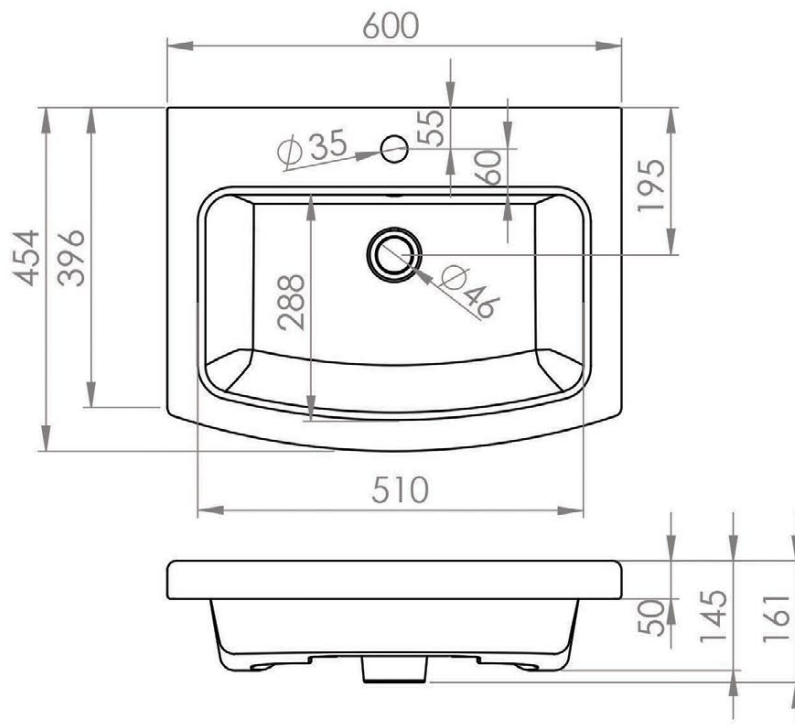
FAQ's

- How big is the plumbing void at the back of the furniture unit? **20mm**
- Can the drawer be adjusted? **The drawer of the unit can be adjusted as detailed in the supplied instructions**
- Als the drawer soft close? **Yes**
- How deep is the unit when the drawer is fully open? **Approx. 760mm**
- How do I fix the unit to the wall? **There are adjustable wall hangers in the unit and wall plates kit is provided.**

No.	Description
1	600mm Cloakroom Basin



Diagrams not to scale. All dimensions in mm (tolerance of +/-5mm)




*Dimensions are subject to change, customers are advised to measure actual product before commencing installation.

**Fixing point dimensions are for guidance only. The positions of wall fixing must be checked when product is received.

FAQ's

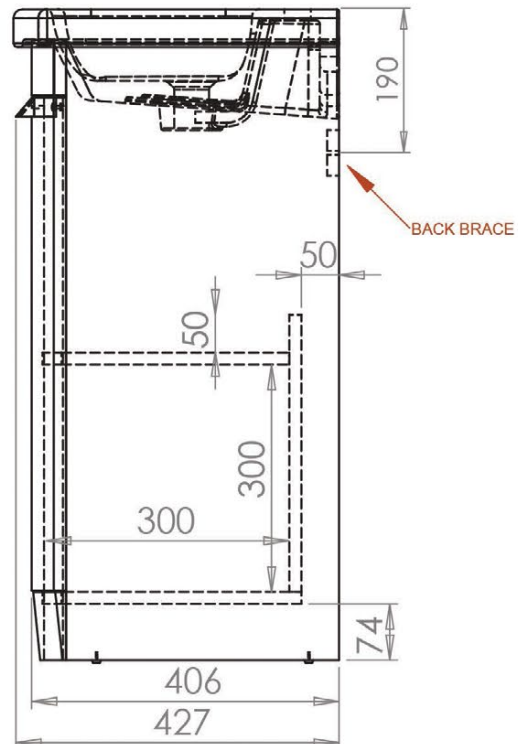
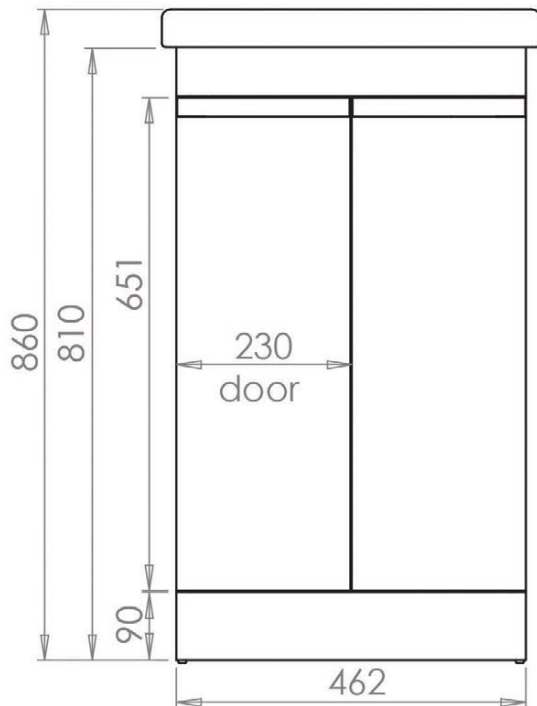
- What is the maximum water depth of the basin? **72mm**
- Does the basin have an overflow? **Yes, it is integrated.**

No.	Description
1	500mm Ceramic Basin
2	500mm Freestanding Unit

FINISHES	
	
Gloss White	Stone Grey
	
Gloss Light Grey	



Diagrams not to scale. All dimensions in mm (tolerance of +/-5mm)



*Dimensions are subject to change, customers are advised to measure actual product before commencing installation.

**Fixing point dimensions are for guidance only. The positions of wall fixing must be checked when product is received.

FAQ's

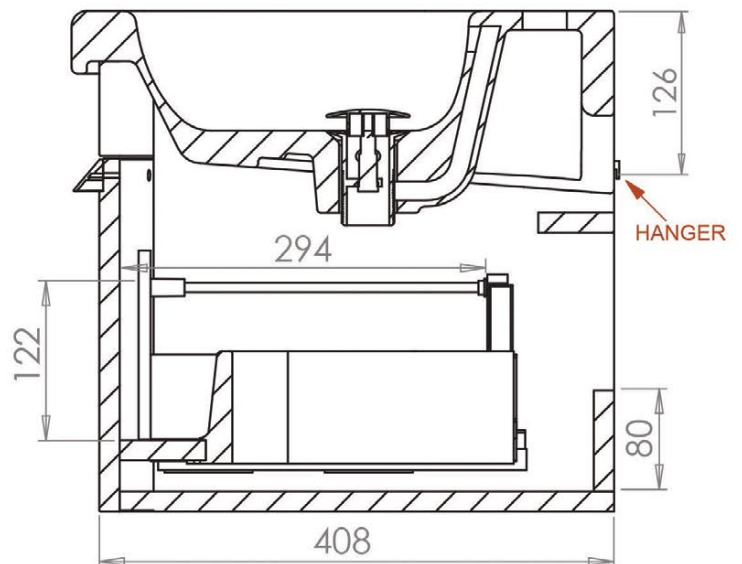
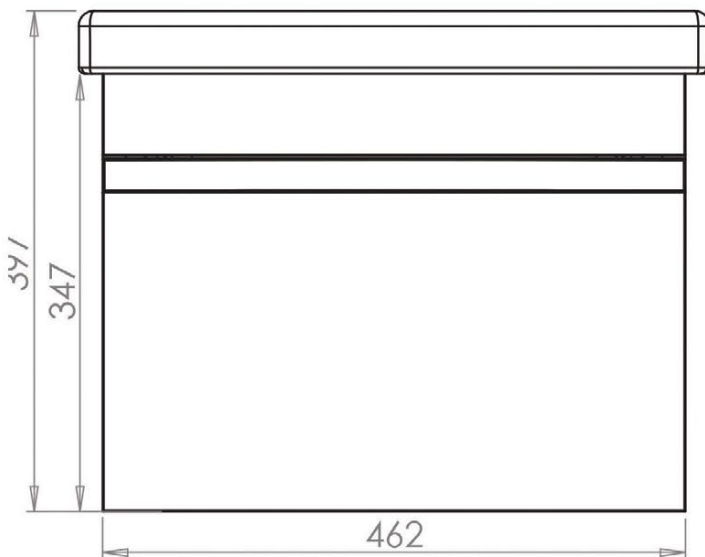
- How big is the plumbing void at the back of the furniture unit? **50mm**
- Can the doors be adjusted? **The doors of the unit can be adjusted as detailed in the supplied instructions**
- Are the hinges soft close? **The hinges are both soft close and quick release**
- How deep is the unit when the doors are fully open? **Approx. 670mm deep (aprox 90 degree opening)**
- What is the interior finish of the unit? **White**
- Does the unit have a colour reference? **No, part can be taken and matched by paint supplier (no Ral code)**
- How do I fix the unit to the wall? **You can secure it to the wall drilling through the back brace.**
- Are the shelves removable? **No. There is one fixed shelf.**

No.	Description
1	500mm Ceramic Basin
2	500mm Wall Mounted Unit

FINISHES	
	
Gloss White	Stone Grey
	
Gloss Light Grey	



Diagrams not to scale. All dimensions in mm (tolerance of +/-5mm)



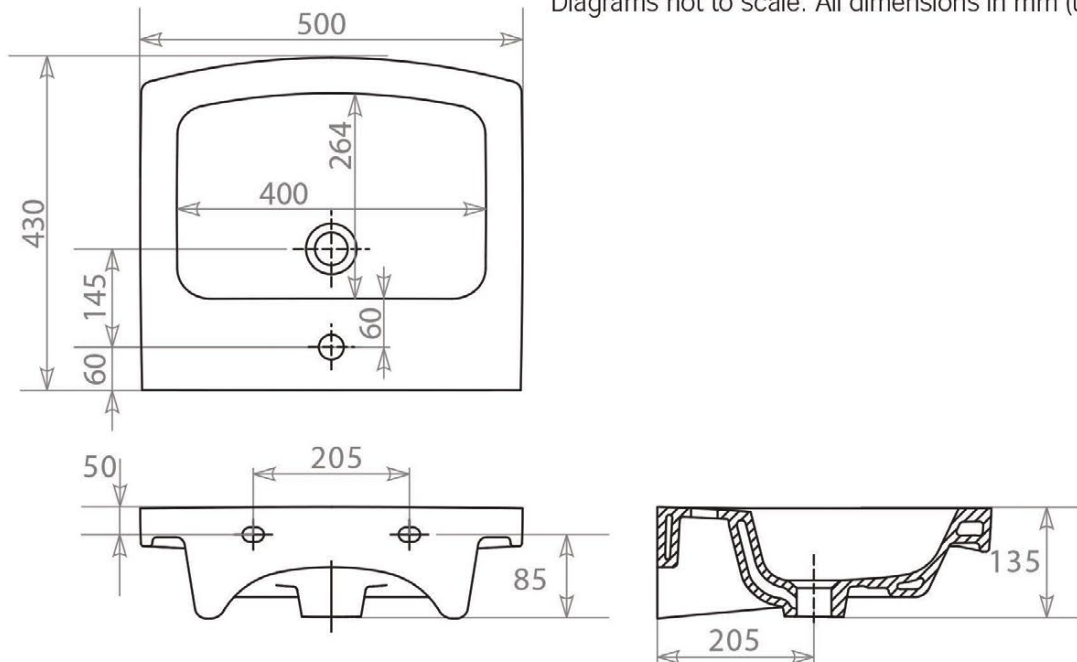
*Dimensions are subject to change, customers are advised to measure actual product before commencing installation.

**Fixing point dimensions are for guidance only. The positions of wall fixing must be checked when product is received.

FAQ's

- How big is the plumbing void at the back of the furniture unit? **60mm**
- Can the drawer be adjusted? **The drawer of the unit can be adjusted as detailed in the supplied instructions**
- Is the drawer soft close? **Yes**
- How deep is the unit when the drawer is fully open? **Approx. 700mm**
- How do I fix the unit to the wall? **There are adjustable wall hangers in the unit and wall plates kit is provided.**

No.	Description
1	500mm Ceramic Basin




*Dimensions are subject to change, customers are advised to measure actual product before commencing installation.

**Fixing point dimensions are for guidance only. The positions of wall fixing must be checked when product is received.

FAQ's

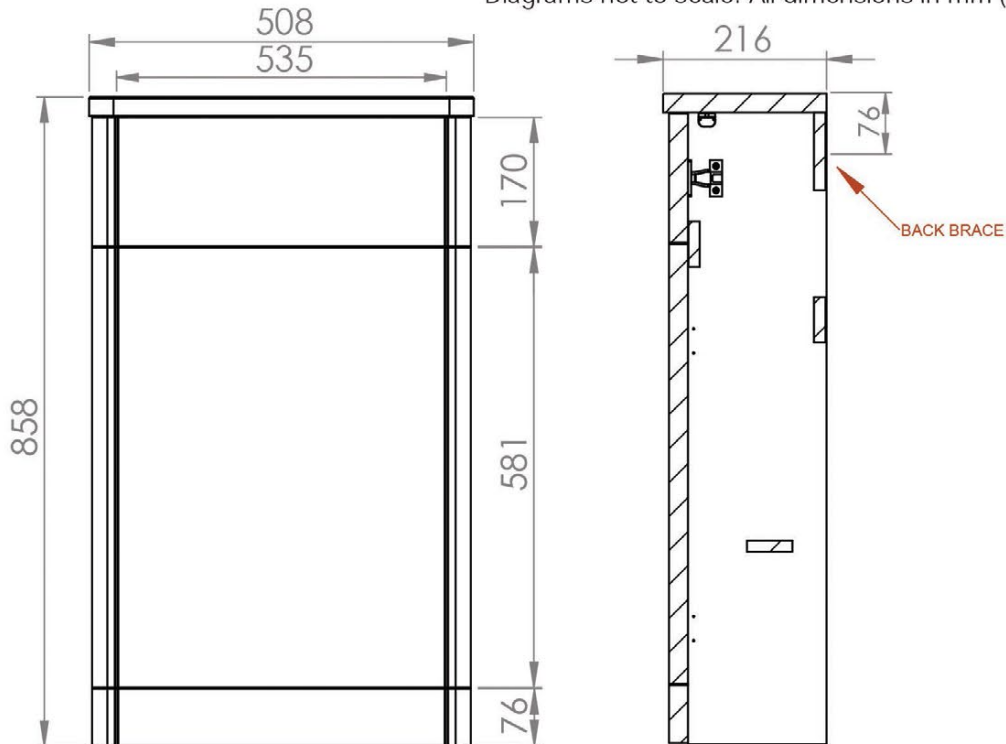
- What is the maximum water depth of the basin? **72mm**
- Does the basin have an overflow? **Yes, it is integrated.**

No.	Description
1	500mm Slimline BTW Unit

FINISHES	
	
White	Stone Grey
	
Anthracite	



Diagrams not to scale. All dimensions in mm (tolerance of +/-5mm)



*Dimensions are subject to change, customers are advised to measure actual product before commencing installation.

**Fixing point dimensions are for guidance only. The positions of wall fixing must be checked when product is received.

FAQ's

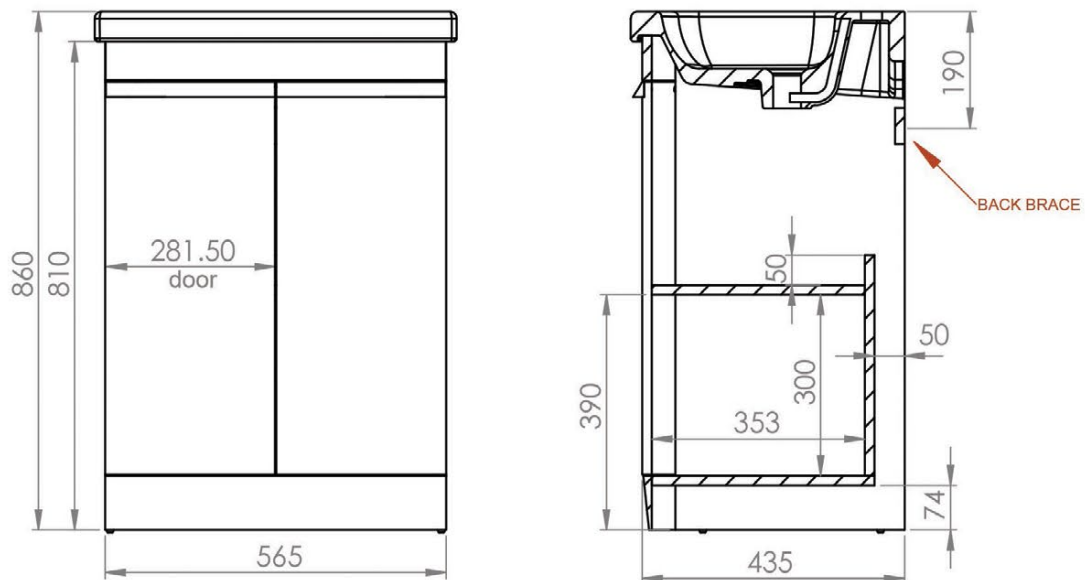
- Are the fascias removable? **Yes - they are on quick release clips**
- Can a wall hung frame be used inside the BTW unit? **No**
- Do the fascias come pre-drilled? **No. This must be done to suit the cistern / pan selected**
- How do I fix the unit to the wall? **You can secure it to the wall drilling through the back brace.**

No.	Description
1	600mm Ceramic Basin
2	600mm Freestanding Unit

FINISHES	
	
Gloss White	Stone Grey
	
Gloss Light Grey	



Diagrams not to scale. All dimensions in mm (tolerance of +/-5mm)



*Dimensions are subject to change, customers are advised to measure actual product before commencing installation.
**Fixing point dimensions are for guidance only. The positions of wall fixing must be checked when product is received.

FAQ's

- How big is the plumbing void at the back of the furniture unit? **50mm**
- Can the doors be adjusted? **The doors of the unit can be adjusted as detailed in the supplied instructions**
- Are the hinges soft close? **The hinges are both soft close and quick release**
- How deep is the unit when the doors are fully open? **Approx. 735mm deep (aprox 90 degree opening)**
- What is the interior finish of the unit? **White**
- Does the unit have a colour reference? **No, part can be taken and matched by paint supplier (no Ral code)**
- How do I fix the unit to the wall? **You can secure it to the wall drilling through the back brace.**
- Are the shelves removable? **No. There is one fixed shelf.**