

Technical Data Sheet

600mm Freestanding Unit

No.	Description	Fixings Included
1	600mm Freestanding Unit	No
2	600mm Isocast Basin	No



Materials

Internal carcass - Edgebanded MFC
 External parts - Painted MDF with doors being MDF ply

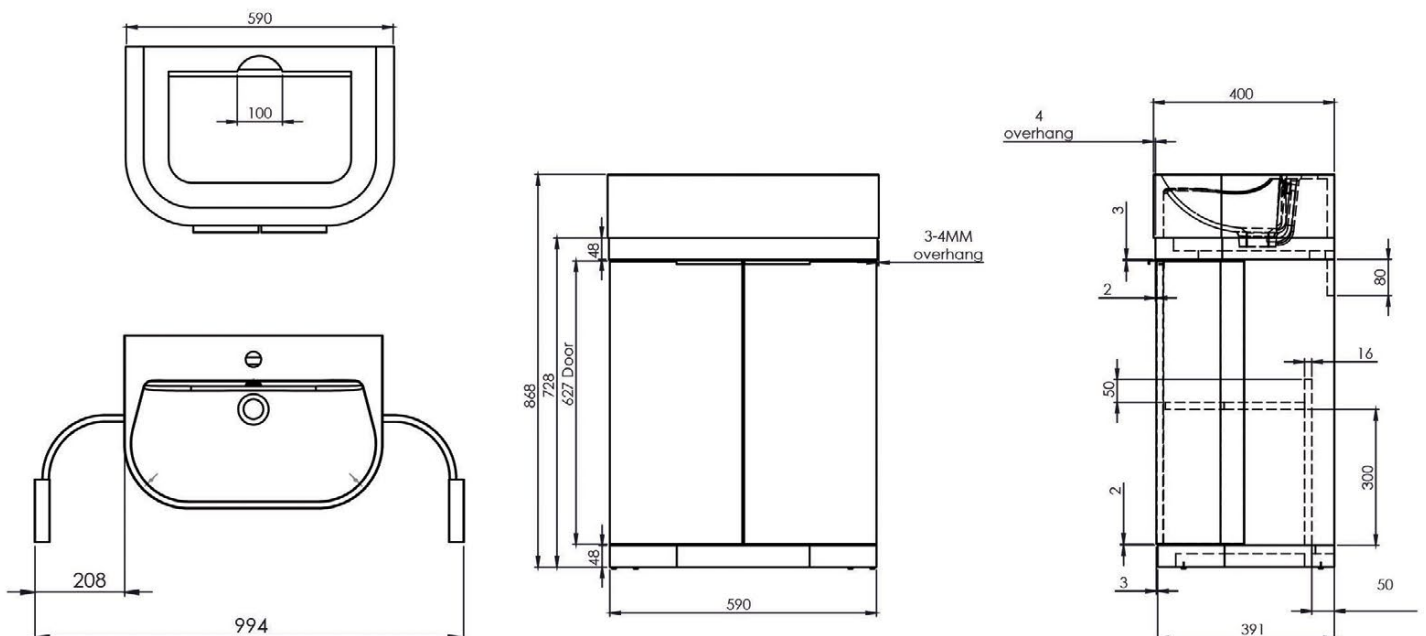
-Basin has built in overflow. Slotted waste must be used.

-Unit must be secured back to a wall using screws through the upper back brace

-Basin must be siliconed to the top of the unit

Dimensions

Diagrams not to scale
 All dimensins in mm
 tolerance of +5mm

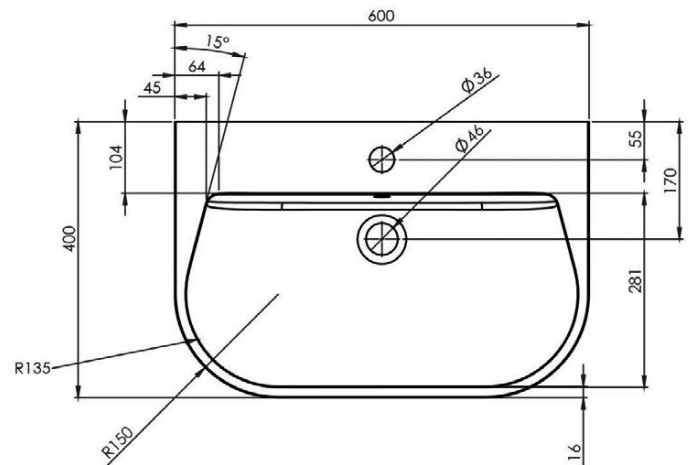
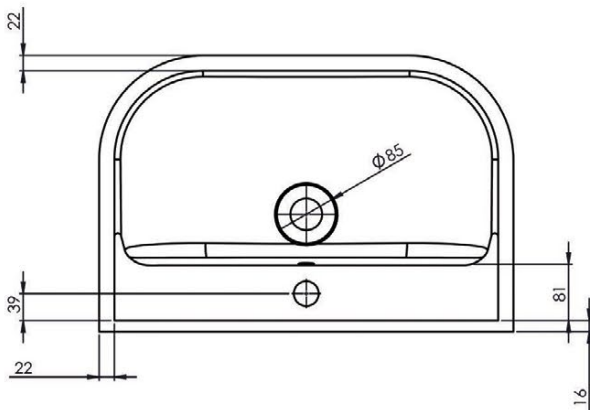
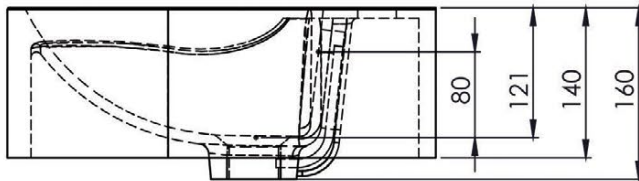


Technical Data Sheet

Dimensions

Diagrams not to scale
All dimensions in mm
tolerance of +5mm

Basin bowl to overflow: 80mm



Additional information

FAQ's

Q - Can I change the handles?

A - Yes but there are pilot holes on the backs of the doors to attach the ones supplied

Q - Do we have any BTW units to match the light grey?

A - Not currently. We'd recommend using a CC pan or the white BTW unit

Q - Can I have a paint code / RAL code for the light grey?

A - No. This is a proprietary colour with no RAL code. You would need to take to a paint matching shop.

Q - What colour are the internal parts

A - White on both finishes