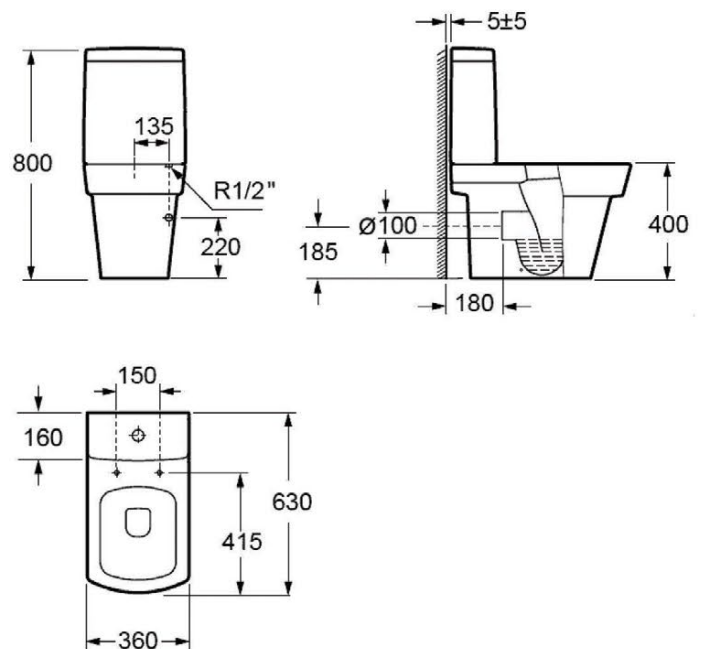


## TECHNICAL DATA SHEET

### CLOSE-COUPLED WC BOWL, CISTERN AND QUICK-RELEASE SEAT

Category:	toilets	Volume:	0.15
Guarantee:	25 year sanitaryware/1 year seat		
Type:	close coupled suites		
Weight:	42.90		



Dimensions are in millimetres except thread sizes which are BSP imperial.

#### Features

- Dual 6 and 3 litre flush fittings supplied as standard
- Water saving 4 and 2.5 litre economy flush capability
- Includes WRAS approved fittings

#### Notes

Our guarantee is subject to the product having been installed, used and maintained in accordance with our instructions. All working parts (such as hinges, ceramic disks, cartridges, seals and cistern fittings), which are subject to normal wear and tear, are covered for 36 months from proof of purchase date. This excludes seats, which are covered for 12 months. Our guarantee applies to the original purchaser and is nontransferable. Our guarantee is only applicable in the UK and ROI. This does not affect your statutory rights.

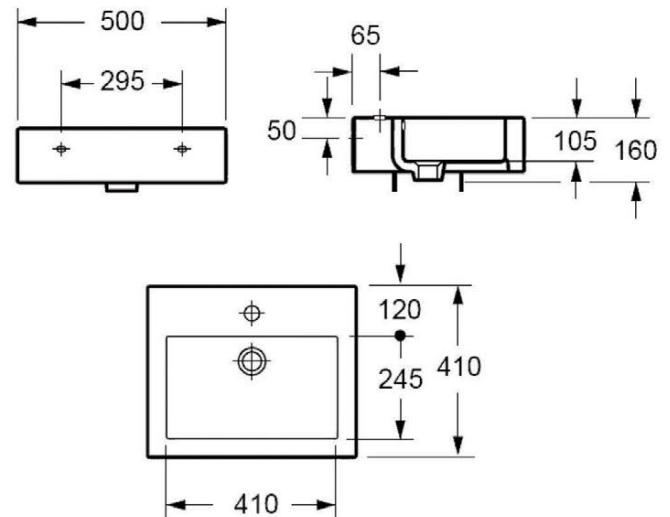
We recommend that a pressure reducing valve is fitted in installations where the water supply pressure exceeds 3 bar. Pressure in excess of 3 bar could reduce the working life of this product and invalidate the guarantee.

Information is provided for guidance only and is non-binding. All measurements are approximate and subject to standard tolerances. We reserve the right to change product specifications without prior notification.

## TECHNICAL DATA SHEET

### 500MM RECTANGULAR BASIN WITH ONE TAP HOLE

Category:	basins	Volume:	0.04
Guarantee:	25 year		
Type:	bowls + one tap hole basins		
Weight:	14.50		



Dimensions are in millimetres except thread sizes which are BSP imperial.

#### Features

- Excludes fittings, wastes, taps
- Fischer Fixing Systems recommended

#### Notes

Our guarantee is subject to the product having been installed, used and maintained in accordance with our instructions. All working parts (such as hinges, ceramic disks, cartridges, seals and cistern fittings), which are subject to normal wear and tear, are covered for 36 months from proof of purchase date. This excludes seats, which are covered for 12 months. Our guarantee applies to the original purchaser and is nontransferable. Our guarantee is only applicable in the UK and ROI. This does not affect your statutory rights.

We recommend that a pressure reducing valve is fitted in installations where the water supply pressure exceeds 3 bar. Pressure in excess of 3 bar could reduce the working life of this product and invalidate the guarantee.

Information is provided for guidance only and is non-binding. All measurements are approximate and subject to standard tolerances. We reserve the right to change product specifications without prior notification.